

# COVER


Revision	Description	Date	Drawn	Checked
V10A	Initial	2017-08-11	xxxljzjxxx	

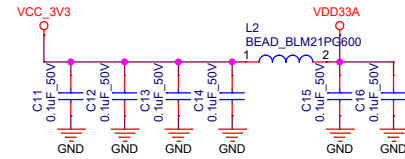
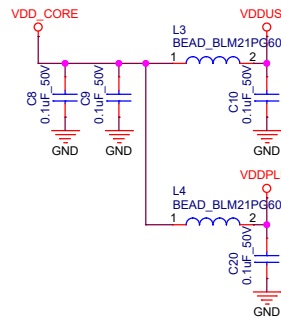
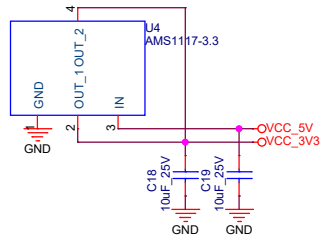
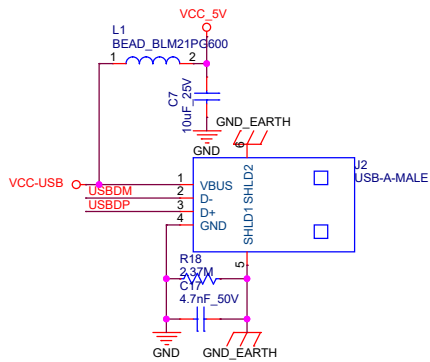
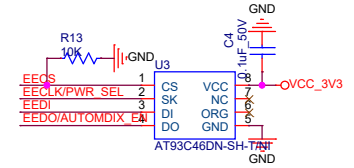
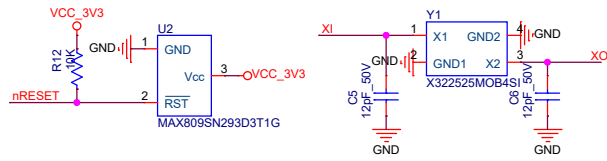
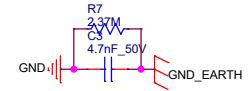
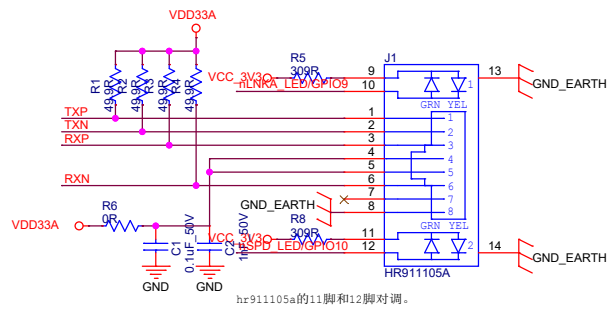
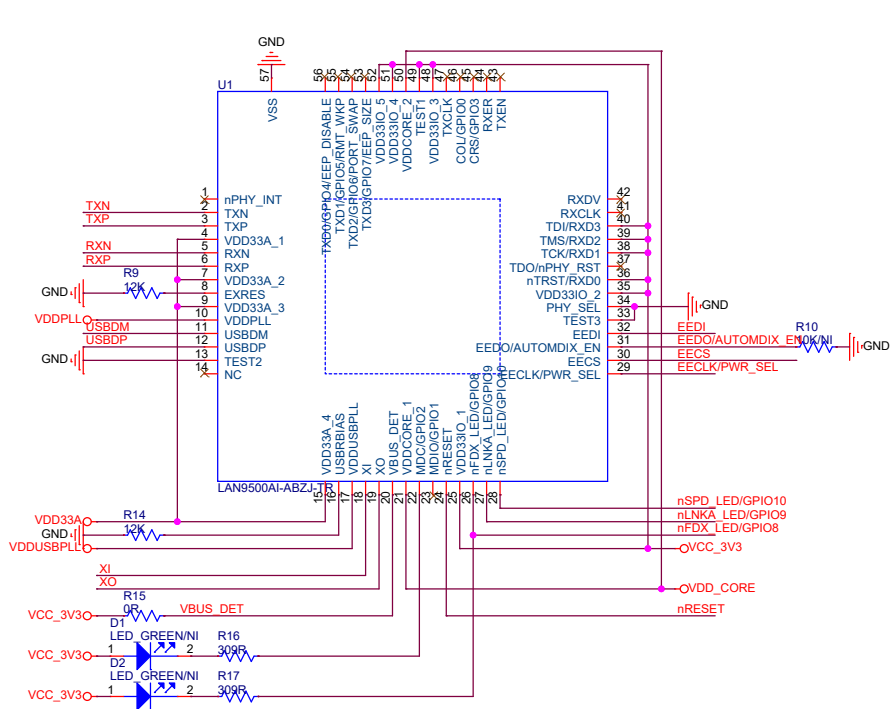
## Schematics Index:

01 COVER  
02 LAN9500

## Schematics Block:

## BUG

 NO.2, XinYe Road, GaoXinQiQu, Chengdu, Sichuan,China.	SICHUAN HUIYUAN OPTICAL COMMUNICATIONS CO.,LTD			
	Title LAN9500_TEST_V10A			
	Size A3	Document 01 COVER	Rev V10A	
	Date Friday, August 11, 2017	Designed by xxxljzjxxx	Checked by ?	Sheet 1 of 2 Approved by ?



<b>SICHUAN HUIYUAN OPTICAL COMMUNICATIONS CO.,LTD</b>			
Title: LAN9500_TEST_V10A			
Size: A3	Document: LAN9500	Rev: V10A	
Date: Tuesday, August 22, 2017	Sheet: 2	of 2	
Designed by: xxxLzjxxx	Checked by: ?	Approved by: ?	
NO. 2, XinVe Road, BaoKunXiqu, Chengdu, Sichuan, China.			