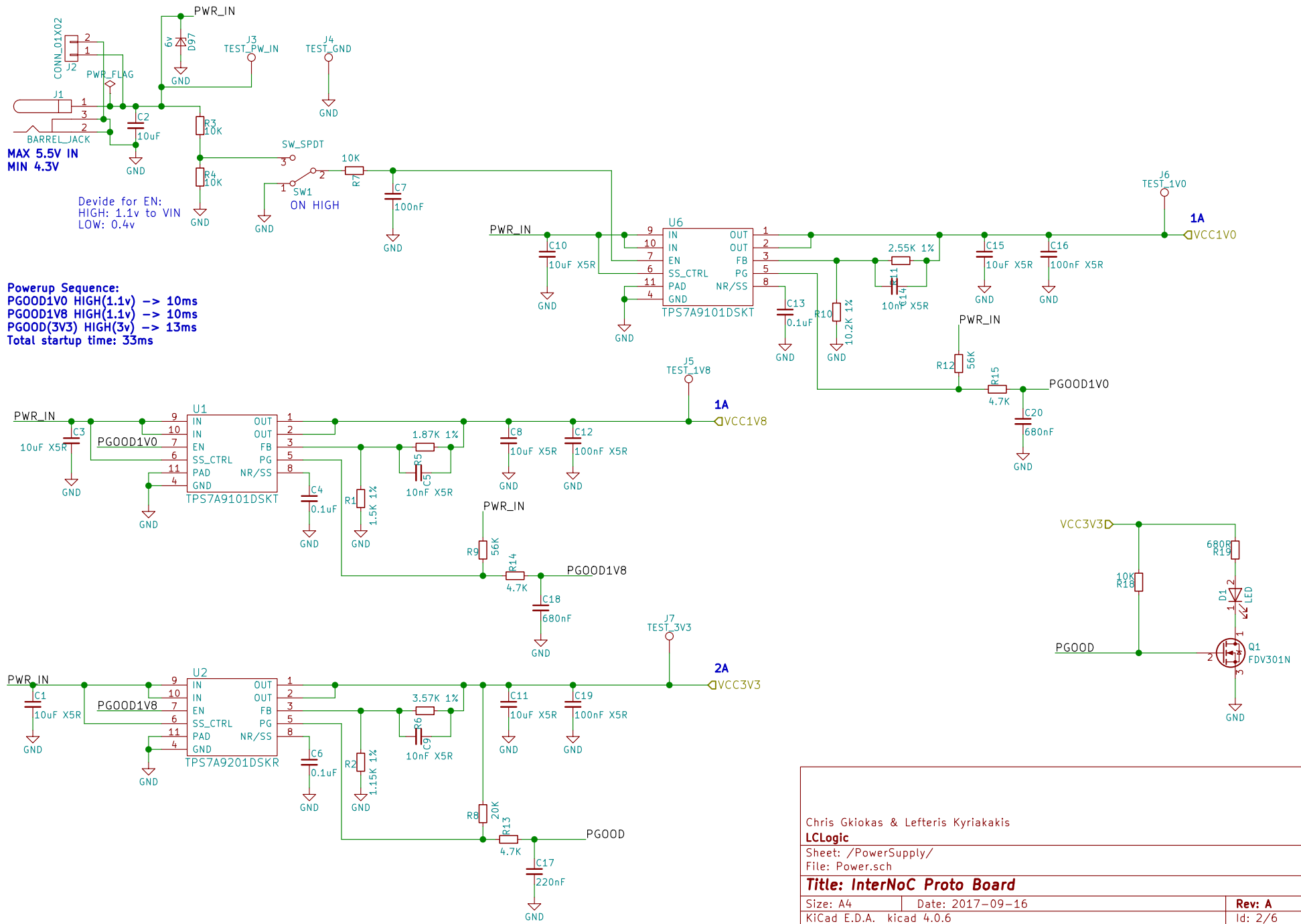
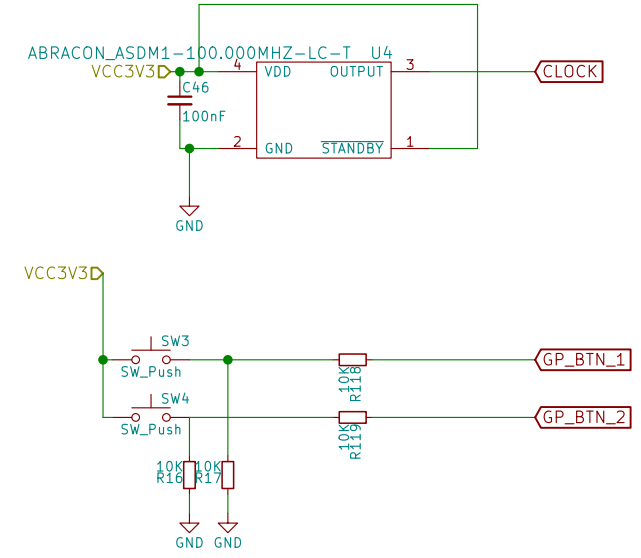
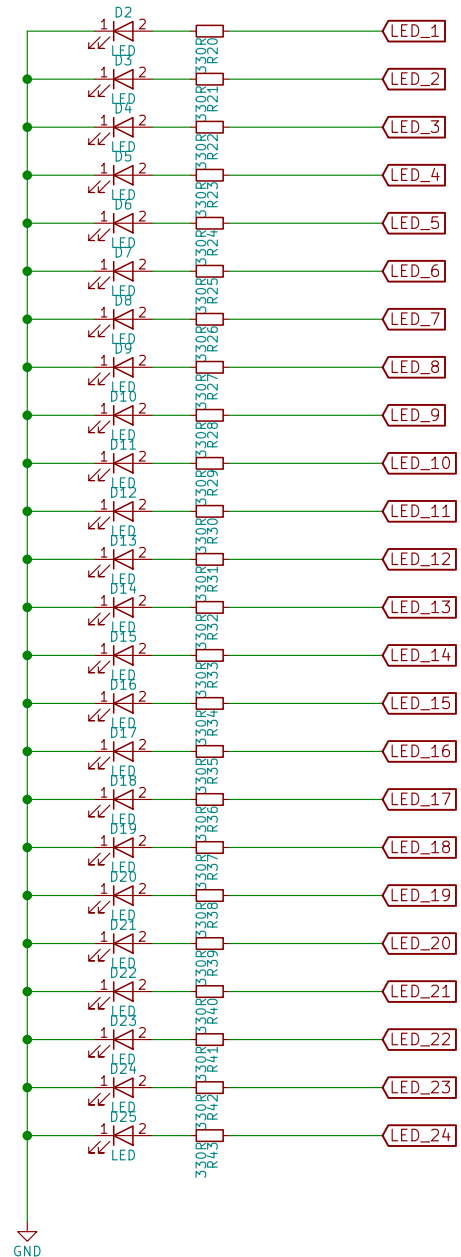


Chris Gkiokas & Lefteris Kyriakakis	
LCLogic	
Sheet: /	
File: InterNoC.sch	
Title: InterNoC Proto Board	
Size: A4	Date: 2017-09-16
KiCad E.D.A. kicad 4.0.6	Rev: A
	Id: 1/6





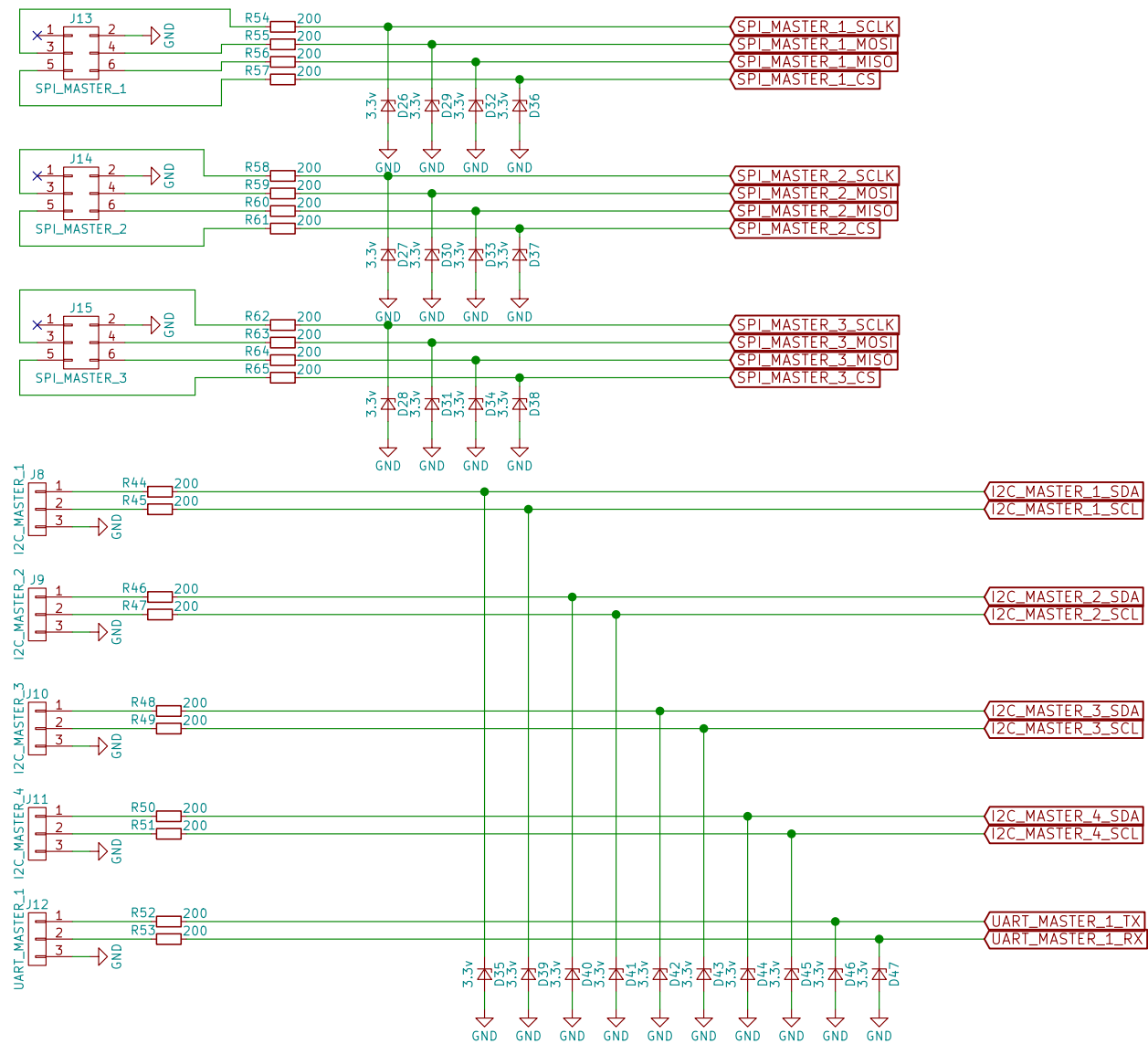
Chris Gkiokas & Lefteris Kyriakakis
LCLogic

Sheet: /Utilities/
 File: Utils.sch

Title: InterNoC Proto Board

Size: A4 Date: 2017-09-16
 KiCad E.D.A. kicad 4.0.6

Rev: A
 Id: 3/6



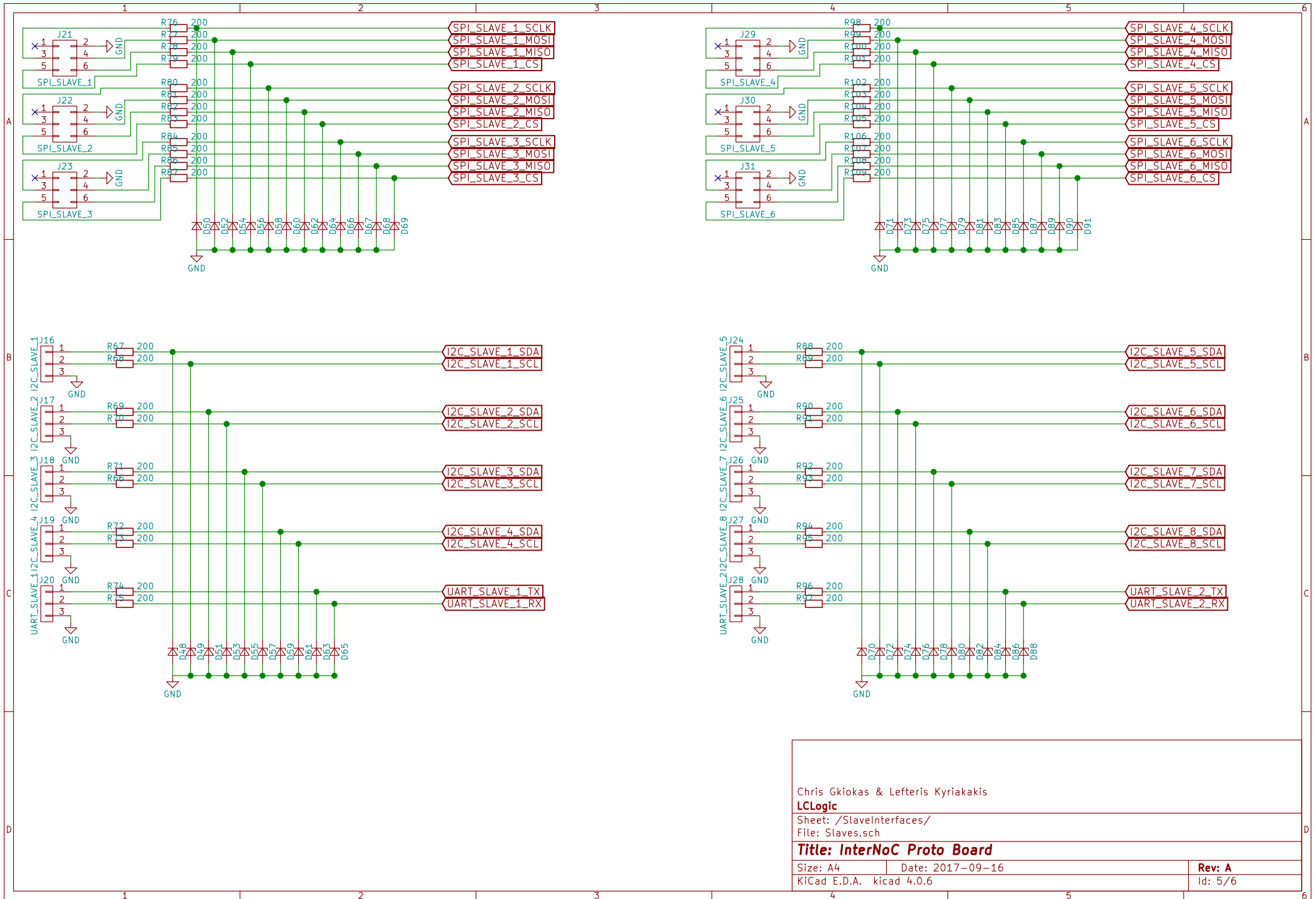
Chris Gkiokas & Lefteris Kyriakakis
LCLogic

Sheet: /MasterInterfaces/
 File: Masters.sch

Title: InterNoC Proto Board

Size: A4 Date: 2017-09-16
 KiCad E.D.A. kicad 4.0.6

Rev: A
 Id: 4/6



Chris Gkiokas & Lefteris Kyriakakis
LCLLogic

Sheet: /SlaveInterfaces/
 File: Slaves.sch

Title: InterNoC Proto Board

Size: A4 Date: 2017-09-16
 KiCad E.D.A. kicad 4.0.6

Rev: A
 Id: 5/6

