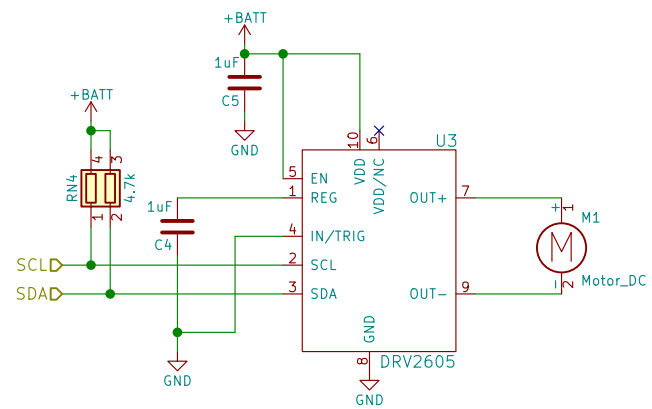


Sheet: /  
 File: digital\_white\_cane\_v2.sch

<b>Title:</b>		<b>Rev:</b>	
Size: A4	Date:		
KiCad E.D.A. kicad 4.0.6		Id: 1/6	



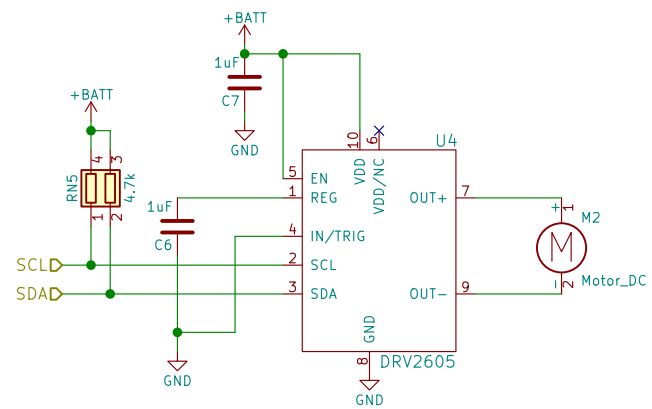
Sheet: /Motor Channel/  
 File: motor\_driver.sch

**Title:**

Size: A4  
 KiCad E.D.A. kicad 4.0.6

Date:

Rev:  
 Id: 2/6



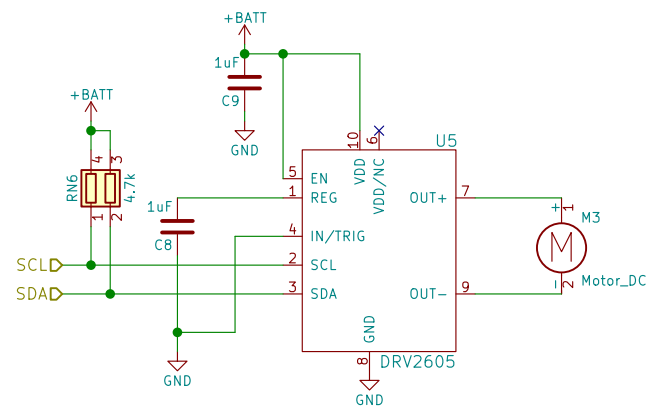
Sheet: /Motor Channel/  
 File: motor\_driver.sch

**Title:**

Size: A4  
 KiCad E.D.A. kicad 4.0.6

Date:

Rev:  
 Id: 3/6



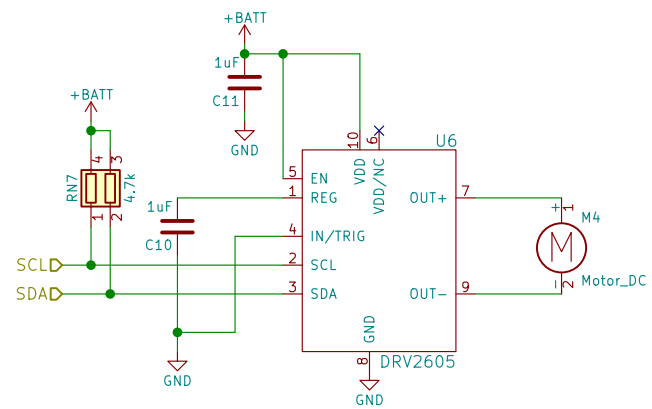
Sheet: /Motor Channel/  
 File: motor\_driver.sch

**Title:**

Size: A4  
 KiCad E.D.A. kicad 4.0.6

Date:

Rev:  
 Id: 4/6



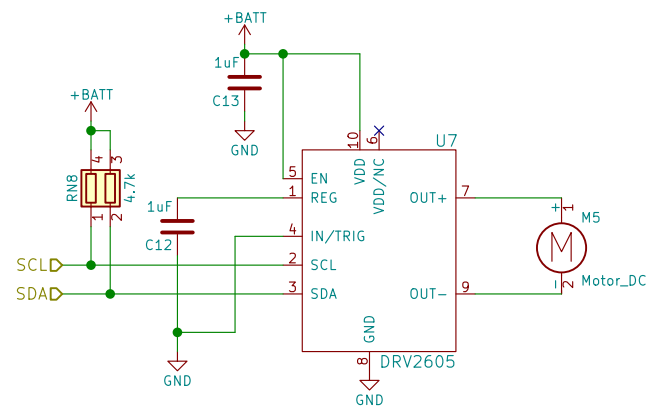
Sheet: /Motor Channel/  
 File: motor\_driver.sch

**Title:**

Size: A4  
 KiCad E.D.A. kicad 4.0.6

Date:

Rev:  
 Id: 5/6



Sheet: /Motor Channel/  
 File: motor\_driver.sch

**Title:**

Size: A4  
 KiCad E.D.A. kicad 4.0.6

Date:

Rev:  
 Id: 6/6