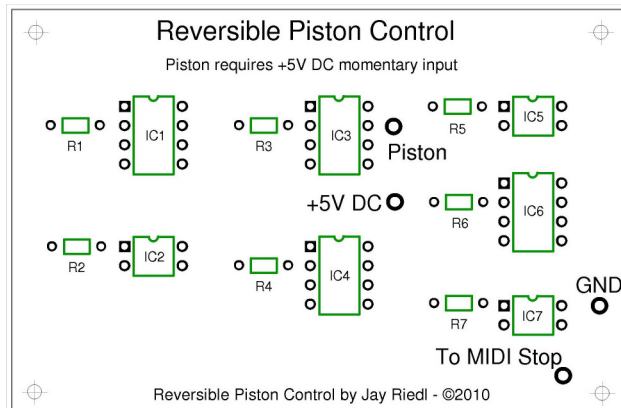
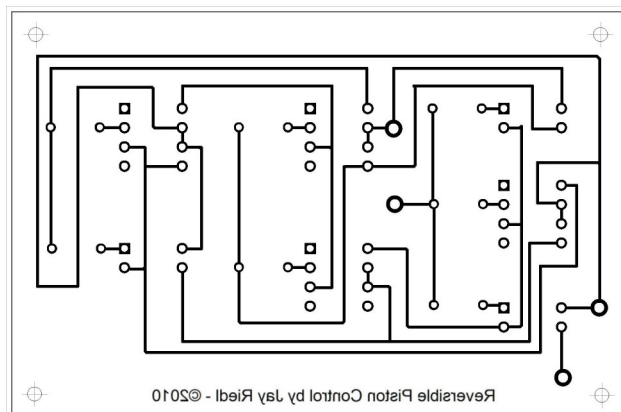


Reversible Piston Control – PCB Etch Patterns

Silkscreen Pattern



Etch Pattern



Parts List

IC1, IC3, IC4, IC6	Clare LCC110
IC2, IC5, IC7	Toshiba TLP222A(F)
R1, R3, R4, R6	470Ω, ¼-Watt Resistor
R2, R5, R7	390Ω, ¼-Watt Resistor