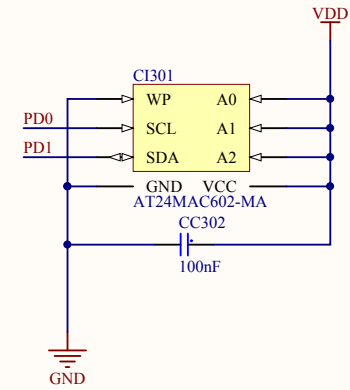
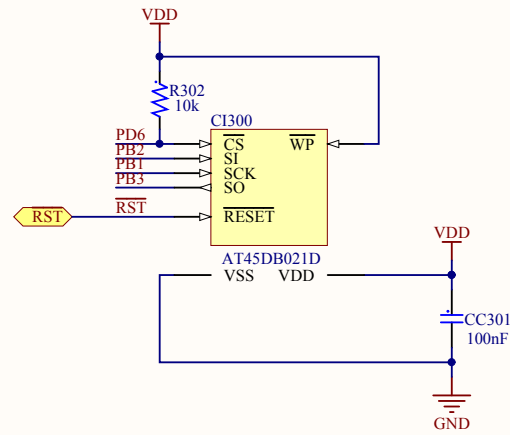
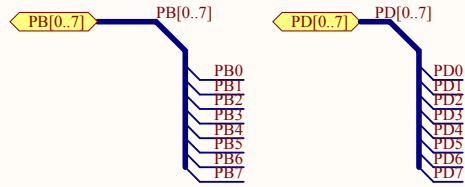
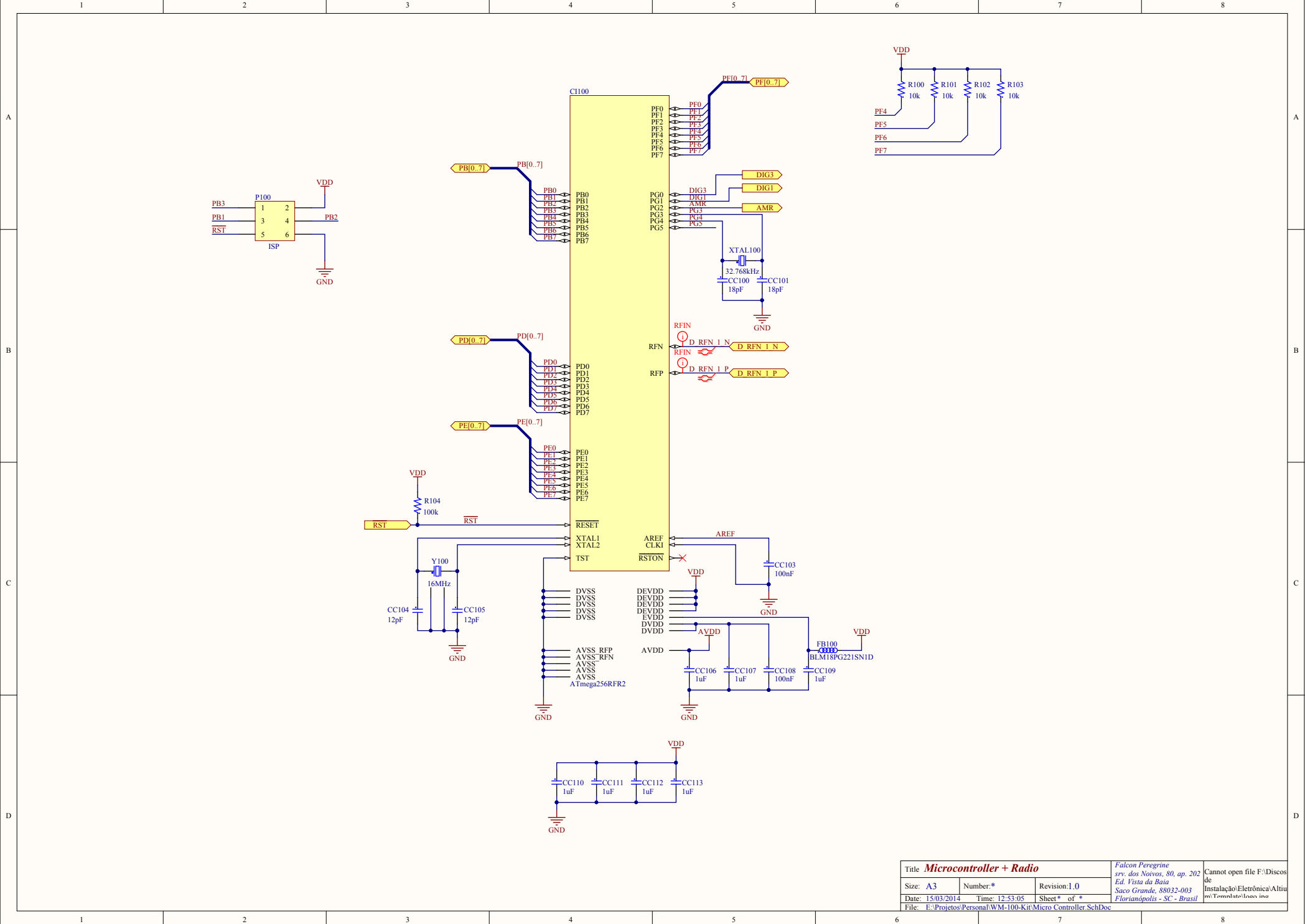
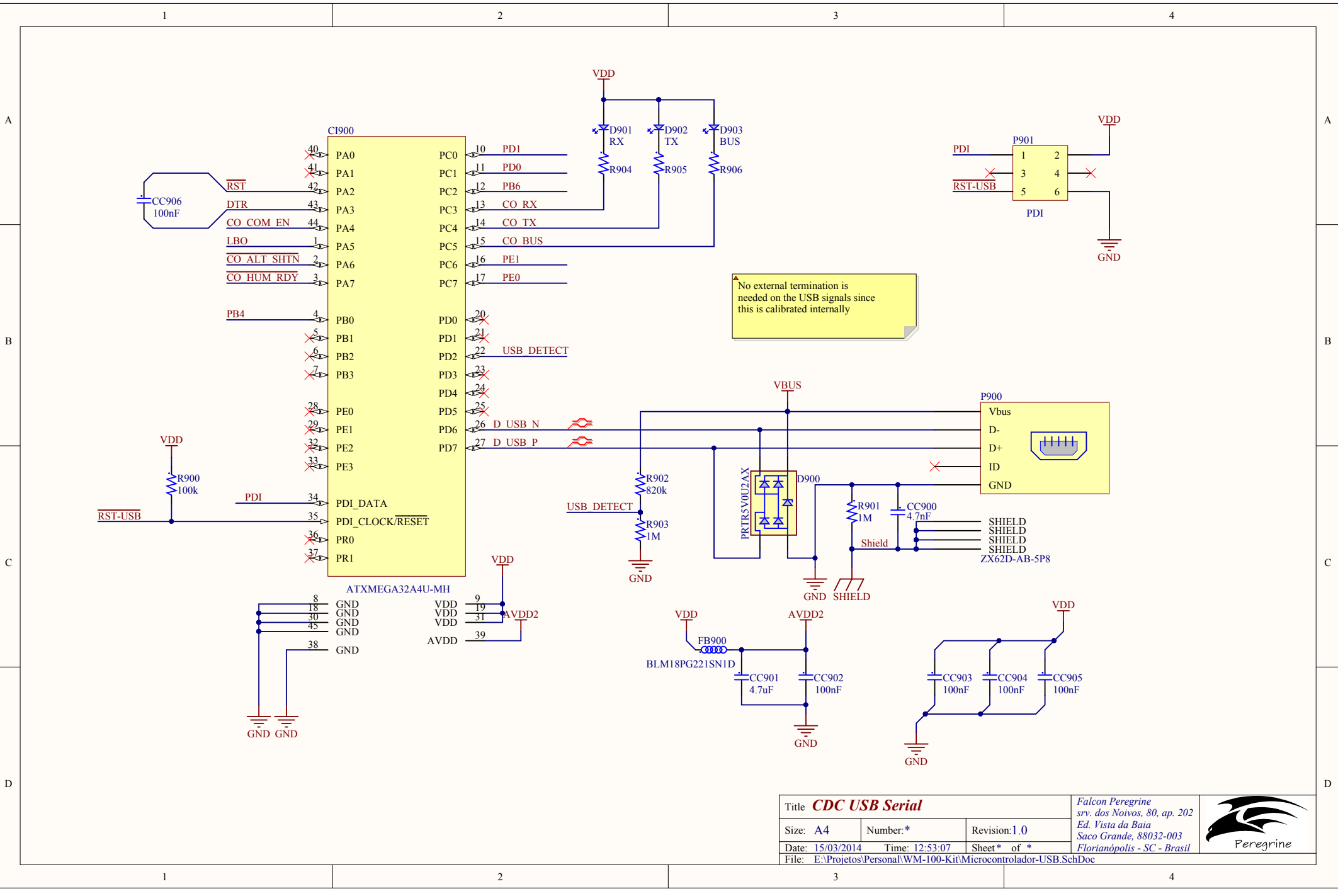



Title Connections			Falcon Peregrine srv. dos Noivos, 80, ap. 202 Ed. Vista da Baía Saco Grande, 88032-003 Florianópolis - SC - Brasil	
Size: A4	Number:*	Revision:1.0		
Date: 15/03/2014	Time: 12:53:01	Sheet* of *		
File: E:\Projetos\Personal\WM-100-Kit\Connector.SchDoc				



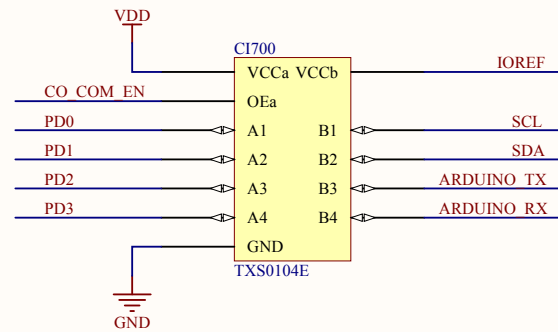
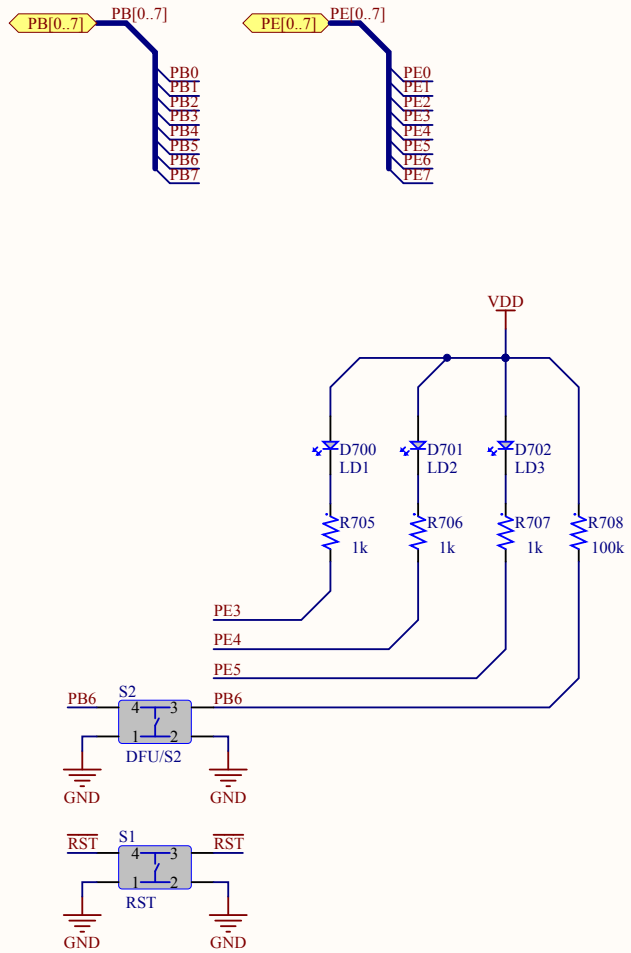


Title Microcontroller + Radio			Falcon Peregrine	Cannot open file F:\Discos
Size: A3	Number:*	Revision: 1.0	srv. dos Noveis, 80, ap. 202	de
Date: 15/03/2014	Time: 12:53:05	Sheet* of *	Ed. Vista da Baía	Instalação Eletrônica/Altu
File: E:\Projetos\Personal\WM-100-Kit\Micro Controller.SchDoc			Saco Grande, 88032-003	m\Tomlato\loco ins
			Florianópolis - SC - Brasil	



Title CDC USB Serial		Falcon Peregrine srv. dos Noivos, 80, ap. 202 Ed. Vista da Baía Saco Grande, 88032-003 Florianópolis - SC - Brasil	
Size: A4	Number: *	Revision: 1.0	
Date: 15/03/2014	Time: 12:53:07	Sheet* of *	
File: E:\Projetos\Personal\WM-100-Kit\Microcontrolador-USB.SchDoc			

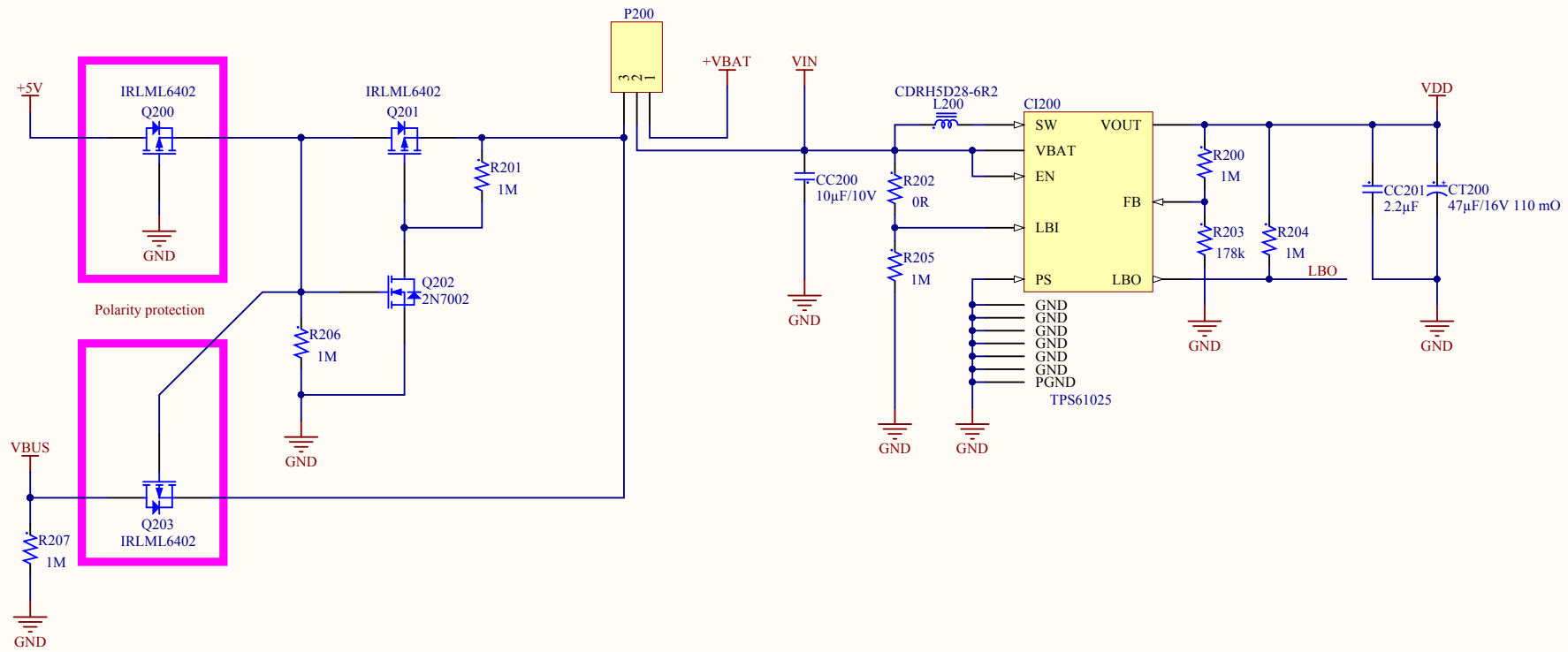
LEDs e Switch




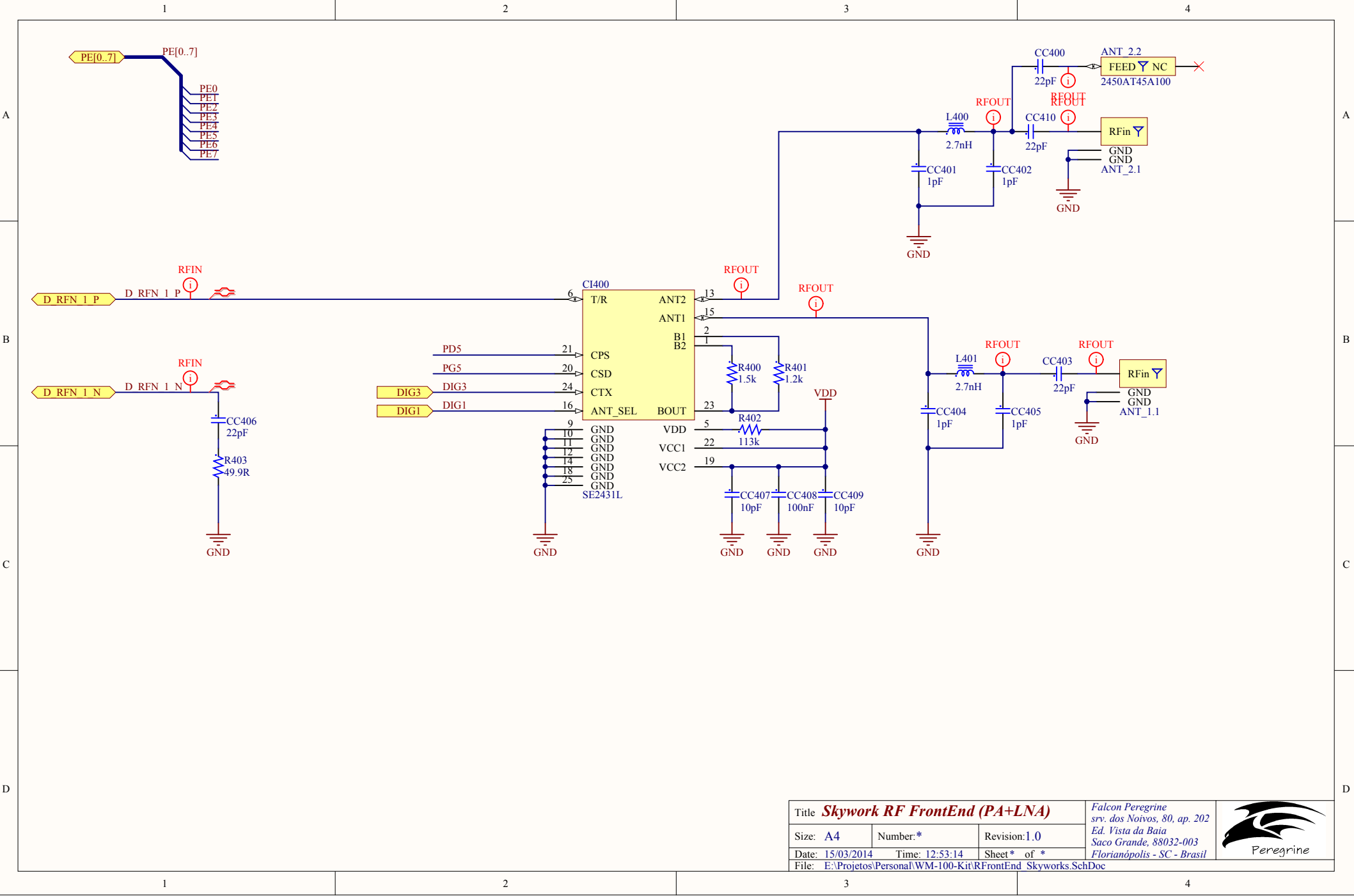
Title Power Source / Misc.			Falcon Peregrine srv. dos Noivos, 80, ap. 202
Size: A4	Number: *	Revision: 1.0	Ed. Vista da Baía
Date: 15/03/2014	Time: 12:53:10	Sheet* of *	Saco Grande, 88032-003
File: E:\Projetos\Personal\WM-100-Kit\Misc.SchDoc			Florianópolis - SC - Brasil



Each FET in the power path has a R_{DSon} of $\sim 50m\Omega$ @ $V_{GS} = -5V$ with a current of up to 20A. That means we can expect a maximum voltage drop across the FETs of 50mV@500mA, 100mV@1A and 200mV@2A.

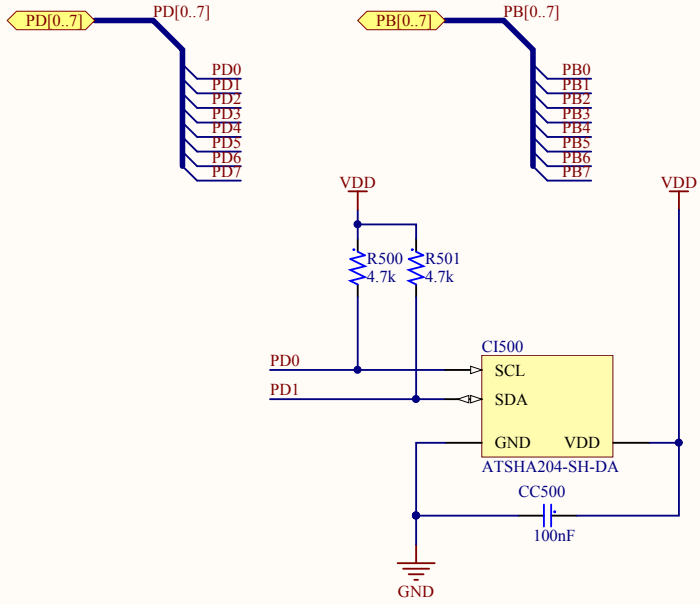


Title Power Supply Switch			Falcon Peregrine srv. dos Noivos, 80, ap. 202 Ed. Vista da Baía Saco Grande, 88032-003 Florianópolis - SC - Brasil	
Size: A4	Number: *	Revision: 1.0		
Date: 15/03/2014	Time: 12:53:12	Sheet* of *		
File: E:\Projetos\Personal\WM-100-Kit\Power Supply.SchDoc				



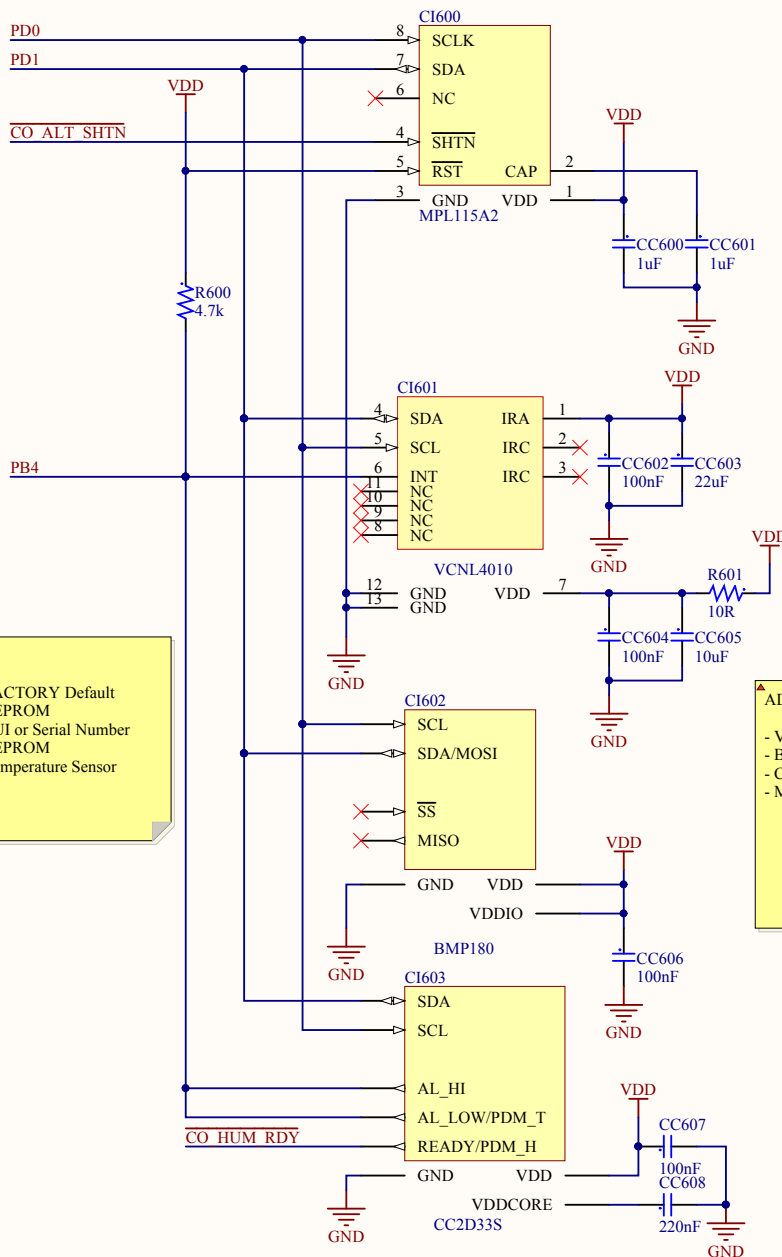
Title Skywork RF FrontEnd (PA+LNA)			Falcon Peregrine srv. dos Noivos, 80, ap. 202
Size: A4	Number: *	Revision: 1.0	Ed. Vista da Baía
Date: 15/03/2014	Time: 12:53:14	Sheet* of *	Saco Grande, 88032-003
File: E:\Projetos\Personal\WM-100-Kit\RFrontEnd_Skyworks.SchDoc			Florianópolis - SC - Brasil





Title Security Chip		Falcon Peregrine srv. dos Noivos, 80, ap. 202	
Size: A4	Number:*	Revision: 1.0	Ed. Vista da Baía
Date: 15/03/2014	Time: 12:53:16	Sheet* of *	Saco Grande, 88032-003
File: E:\Projetos\Personal\WM-100-Kit\Security.SchDoc		Florianópolis - SC - Brasil	





ILLUMINANCE EXAMPLE
reference: <http://www.vishay.com/docs/84154/appnotesensors.pdf>

10-5 lux	Light from Sirius, the brightest star in the night sky
10-4 lux	Total starlight, overcast sky
0.002 lux	Moonless clear night sky with airflow
0.01 lux	Quarter moon 0.27 lux full moon on a clear night
1 lux	Full moon overhead at tropical latitudes
3.4 lux	Dark limit of civil twilight under a clear sky
50 lux	Family living room
80 lux	Hallway/toilet
100 lux	Very dark overcast day
320 to 500 lux	Office lighting
400 lux	Sunrise or sunset on a clear day
1000 lux	Overcast day; typical TV studio lighting
10000 to 25000 lux	Full daylight (not direct sun)
32000 to 130000 lux	Direct sunlight

WM-100-Kit I2C Address:

ATSHA204D	0xC9	FACTORY Default
AT24MAC602	0xA0	EEPROM
	0xB0	EUI or Serial Number
AT30TSE75x	0xA4	EEPROM
	0x94	Temperature Sensor

ADDRESS

- VCNL4010	0x26h
- BMP180	0xEEh
- CC2D33S	0x50h
- MPL115A2	0xC0h