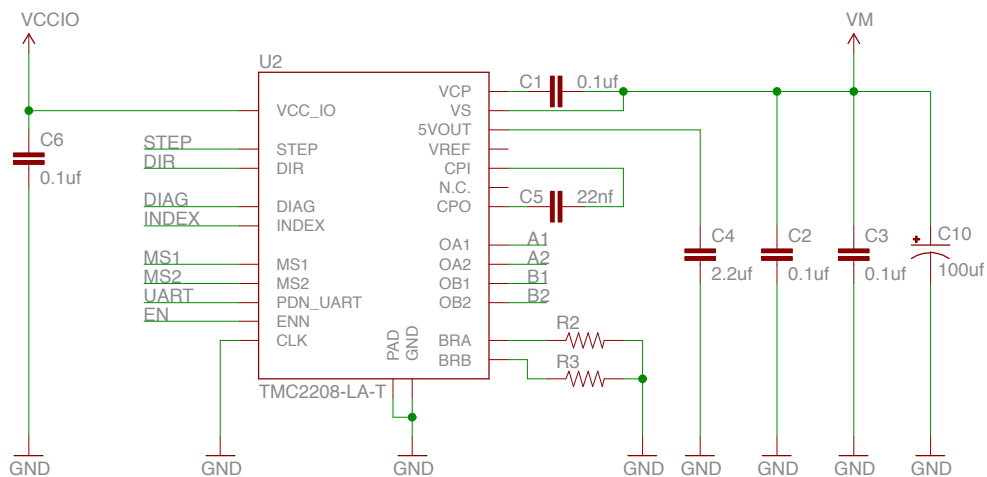
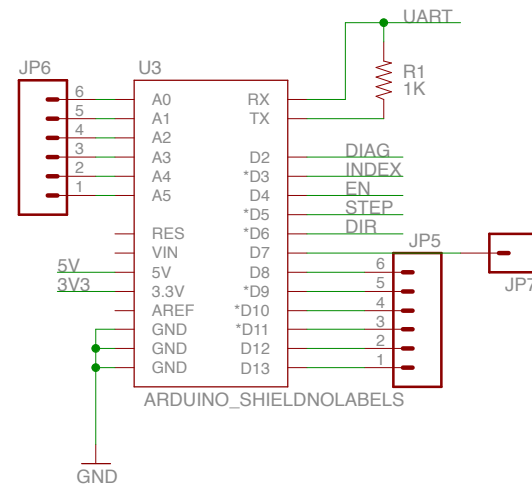


TMC2208 - Motor Driver

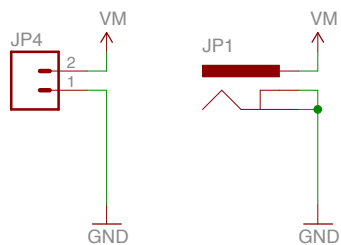


Arduino Footprint

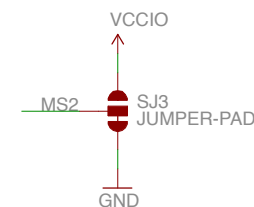
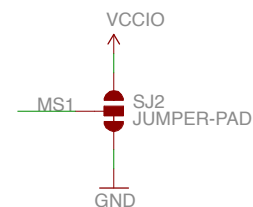
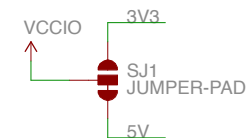
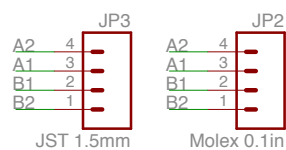


Power Connectors

Supply 4.75V ... 36V



Motor Connectors



TITLE: SilentMotorShield

Design by:

REV:

Date: 7/9/17 1:25 PM

Sheet: 1/1