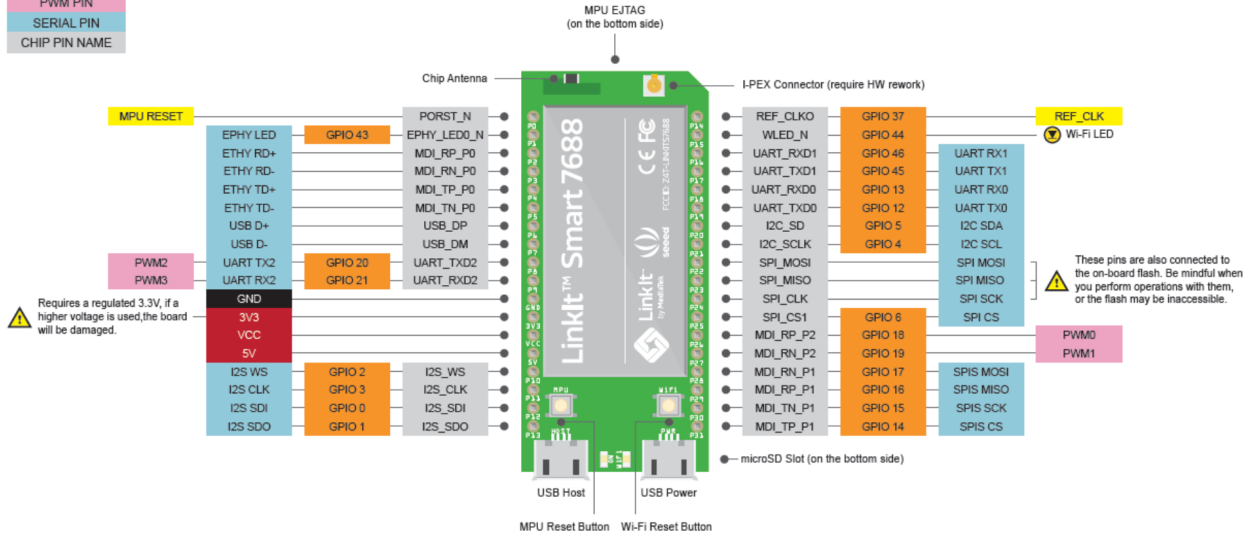


**Linkit Smart 7688**

The Linkit Smart 7688 is based on the MediaTek MT7688 system on a chip, which includes a MIPS 24Kec 580 MHz processor and 128 megabytes of RAM.

Features:

- 20 GPIO pins
- 4 PWM pins
- 3 UART ports
- 1 SPI master port
- 1 SPI slave port (not supported by libmraa)
- 1 I2C port
- 1 I2S port (not supported by libmraa)



**Revision Support**

- Linkit Smart 7688
- Linkit Smart 7688 Duo

**Pin Mapping**

MRAA Number	Physical Pin	Function
—	P0	(Reset)
1	P1	GPIO43 (Eth LED)
—	P2	(Eth RD+)
—	P3	(Eth RD-)
—	P4	(Eth TD+)
—	P5	(Eth TD-)
—	P6	(USB D+)
—	P7	(USB D-)
8	P8	GPIO20, UART TX2, PWM2
9	P9	GPIO21, UART RX2, PWM3
—	GND	GND
—	3V3	3V3
—	VCC	VCC
—	5V	5V
10	P10	GPIO2, (I2S WS)
11	P11	GPIO3, (I2S CLK)
12	P12	GPIO0, (I2S SDI)
13	P13	GPIO1, (I2S SDO)
14	P14	GPIO37 (REF_CLK)
15	P15	GPIO44 (WiFi LED)
16	P16	GPIO46, UART RX1
17	P17	GPIO45, UART TX1
18	P18	GPIO13, UART RX0
19	P19	GPIO12, UART TX0
20	P20	GPIO5, I2C SDA
21	P21	GPIO4, I2C SCL
22	P22	SPI MOSI
23	P23	SPI MISO
24	P24	SPI SCK
25	P25	GPIO6, SPI CS
26	P26	GPIO18, PWM0
27	P27	GPIO19, PWM1
28	P28	GPIO17, (SPIS MOSI)
29	P29	GPIO16, (SPIS MISO)
30	P30	GPIO15, (SPIS SCK)
31	P31	GPIO14, (SPIS CS)