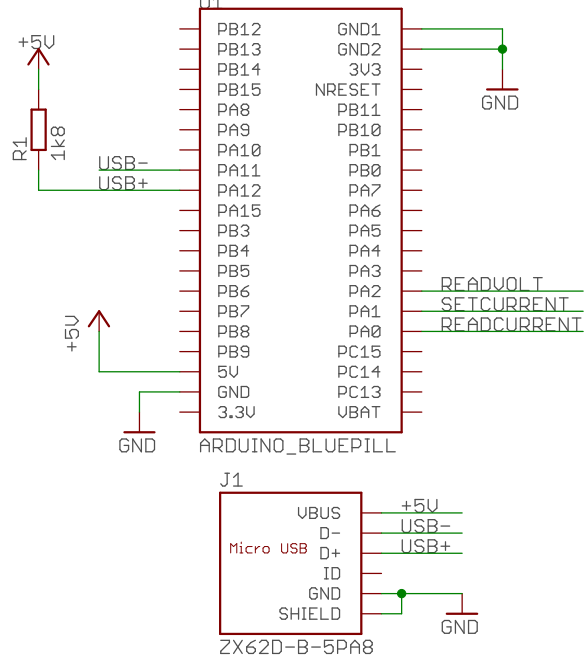
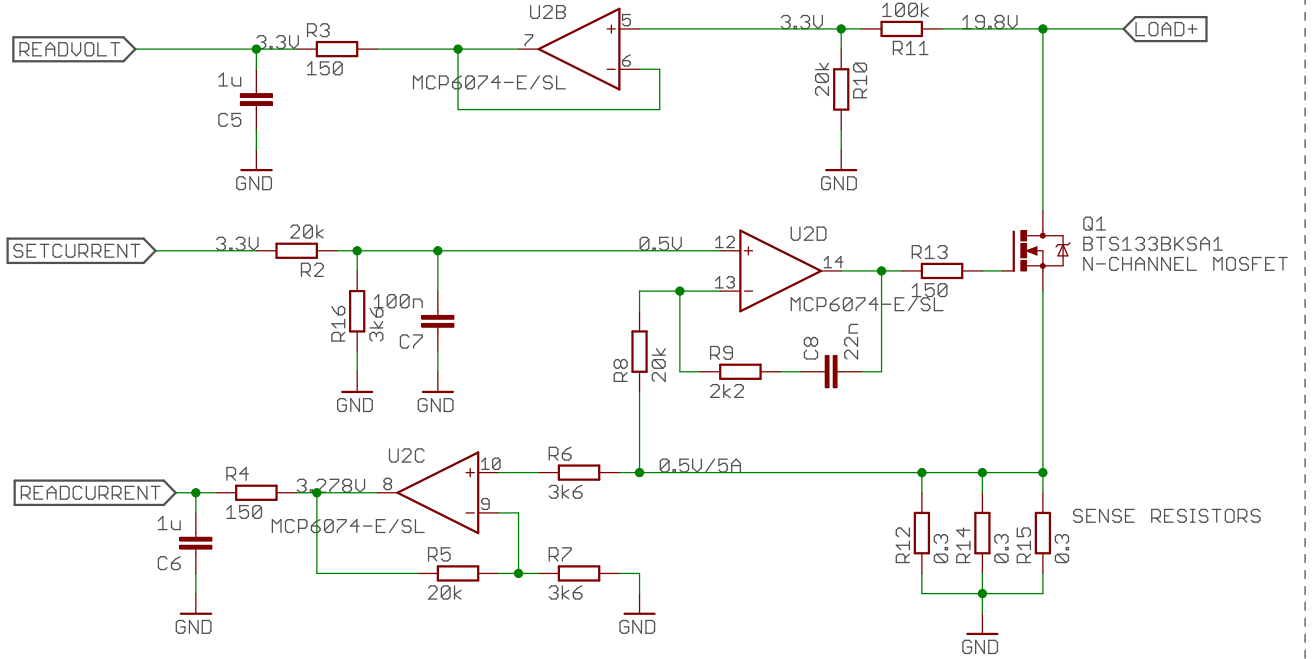


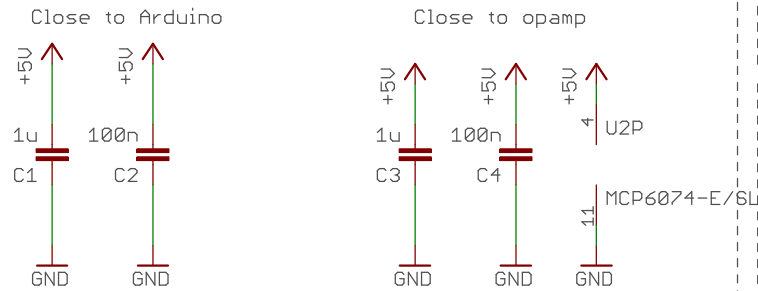
MICROCONTROLLER BOARD



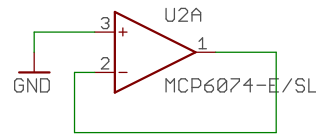
OP-AMP CIRCUIT



POWER SUPPLY DECOUPLING



SPARE OP-AMP

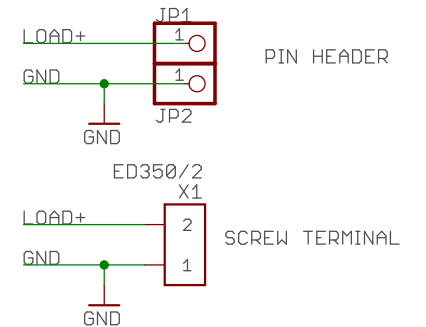


Change history
 2.01 C5 C6 100n>1u, C7 1u>100n
 2.02 Changed U2 to MCP6004-I/SL
 2.03 Changed mosfet to BTS133BKS A1
 2.1 Added Hirose USB connector
 removed 21W in silkscreen
 changed opamp to MCP6074-E/ISL

HEAT SINK



CONNECTORS TO THE LOAD



Jasper's Electronic Load R2
 Designed by Jasper Sikken
<http://sikken.nl/electronicloadr2.html>

electronicload

17-Dec-17 16:16

Sheet: 1/1