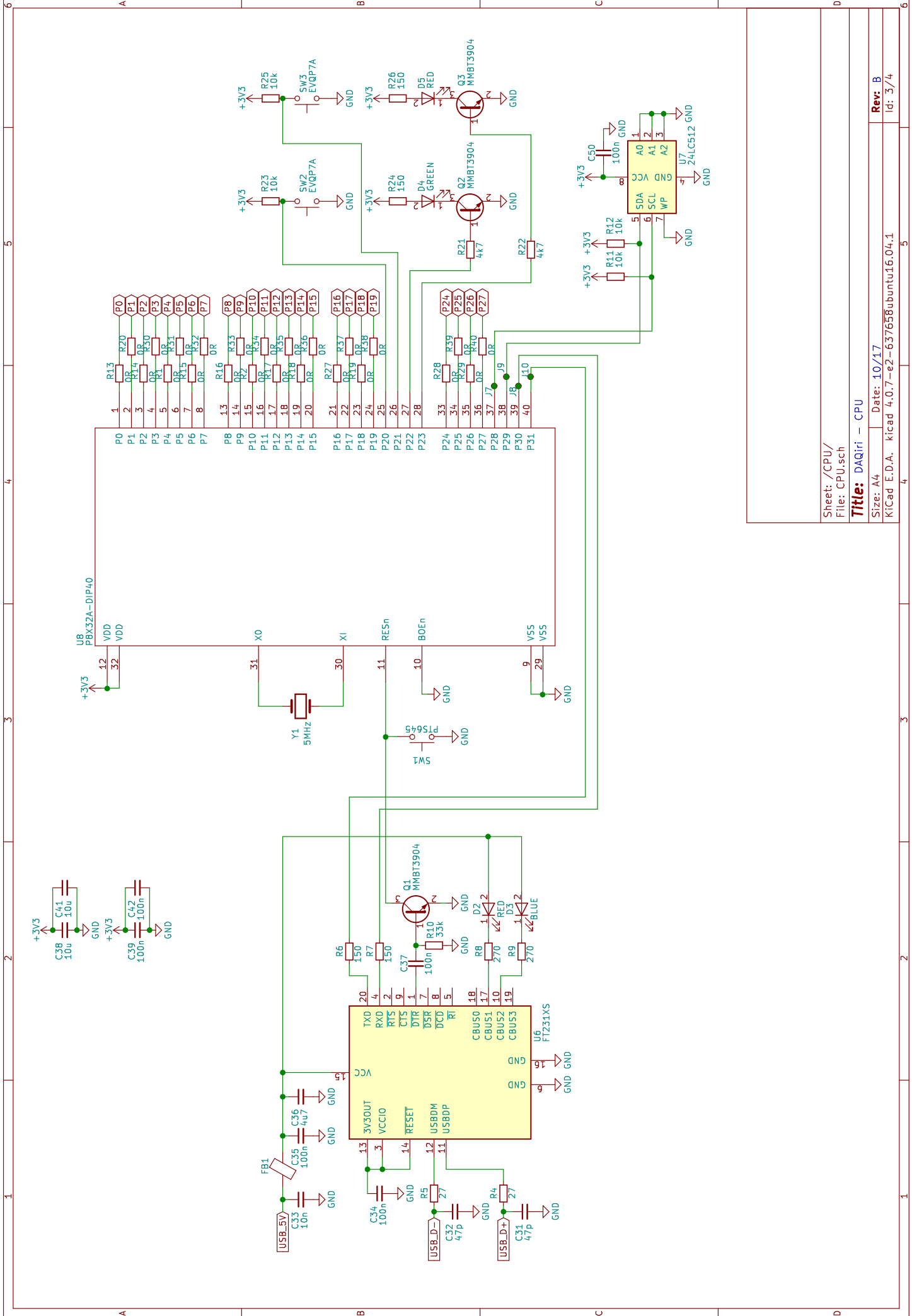


Sheet: /Power/  
File: Power.sch

Title: DAQiri - SUPPLY RAILS

Size: A4 | Date: 10/17  
KICad: E.D.A. | kicad 4.0.7-e2-637658ubuntu16.04.1 | Id: 2/4

Rev: B



Sheet: /CPU/  
 File: CPU.isch

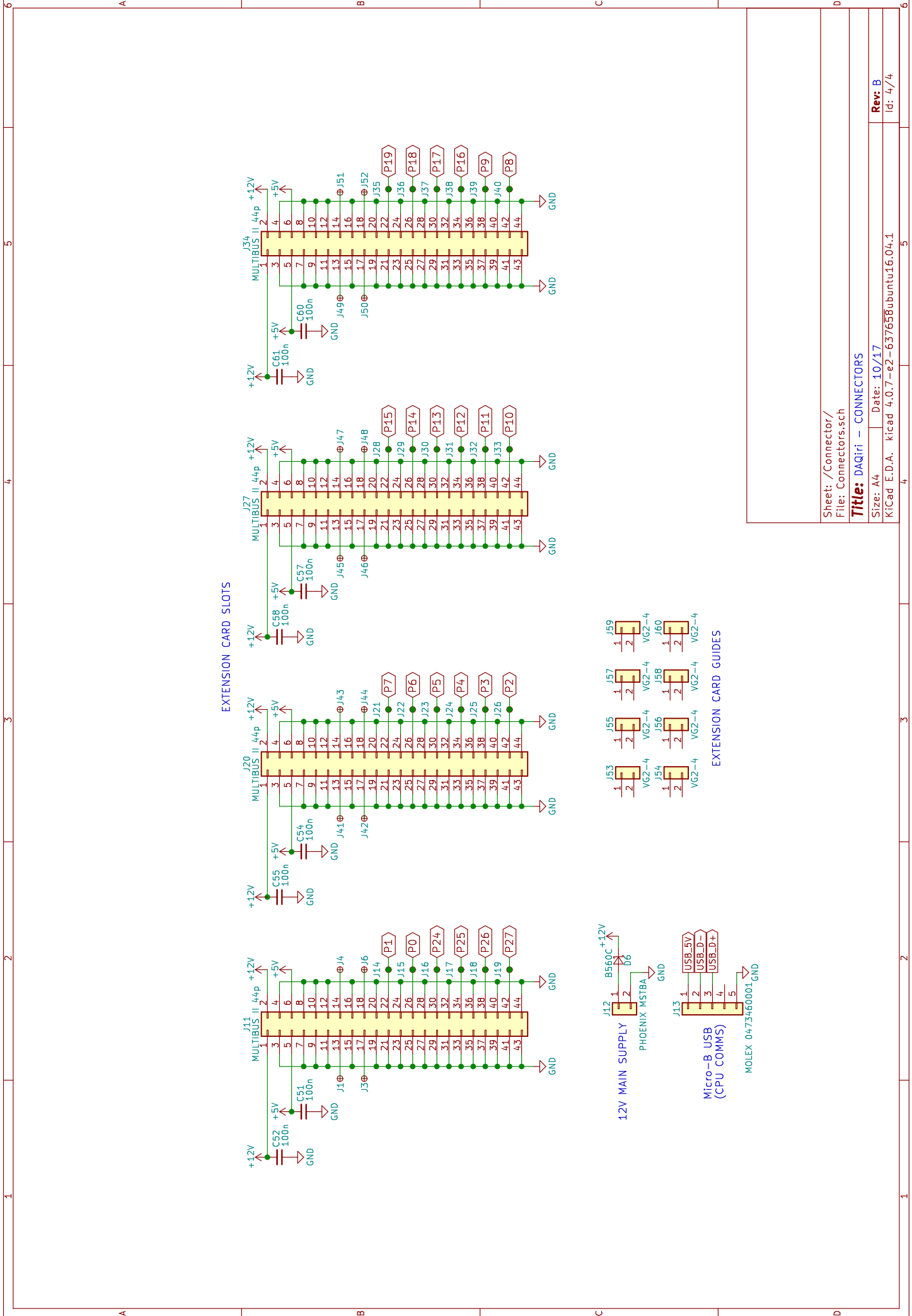
Title: DAQiri - CPU

Size: A4 Date: 10/17

KiCad E.D.A. kicad 4.0.7-e2-637658ubuntu16.04.1

Rev: B

Id: 3/4



Sheet: /Connector/  
 File: Connectors.sch  
**Title: DAQiri - CONNECTORS**  
 Size: A4 Date: 10/17  
 KiCad E.D.A. kicad 4.0.7-e2-637658ubuntu16.04.1

Rev: B  
 Id: 4/4