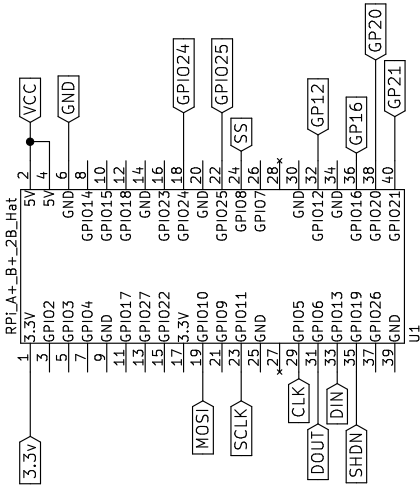
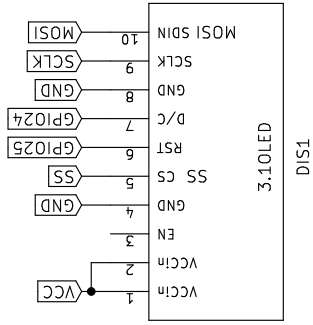


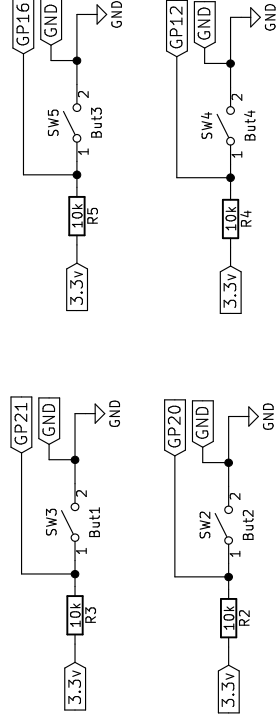
RPI Zero Connector



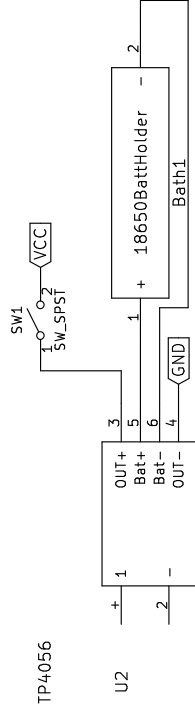
OLED Green Display



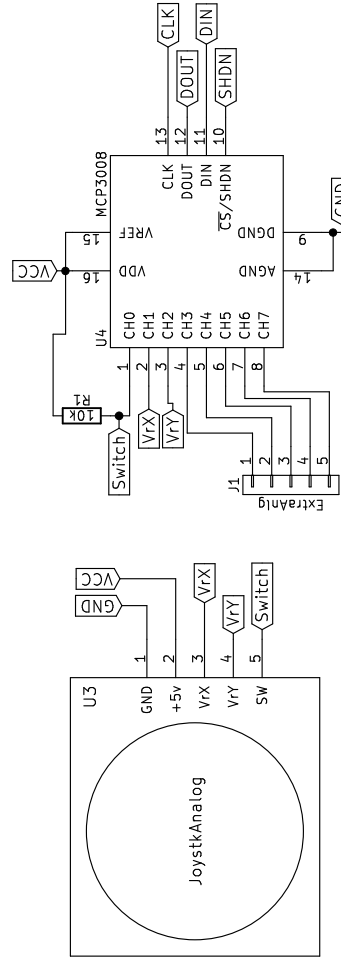
Button controls



Battery + Charger



Joystick Stage



Dr. CADIC Philippe
www.snaponair.com

Sheet: /
File: pHAT.sch

Title: RPI Zero Joystick Shield

Size: A4 Date: 2017-10-22

KiCad E.D.A. kicad 4.0.4-stable

Rev: 0.9

Id: 1/1