

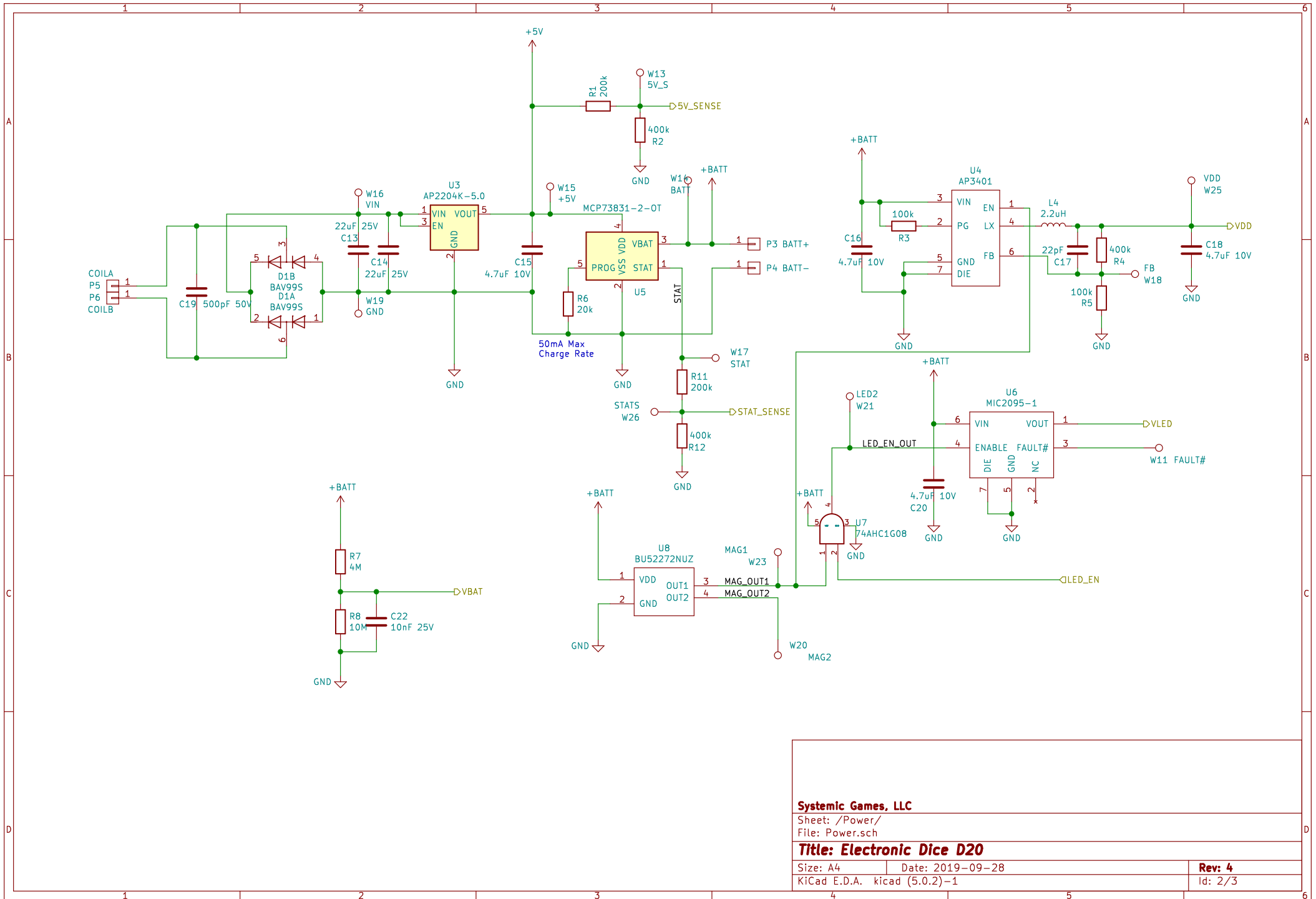
Systemic Games, LLC

Sheet: /
File: Protoboard4.sch

Title: Electronic Dice D20

Size: A4 Date: 2019-09-28
KiCad E.D.A. kicad (5.0.2)-1

Rev: 4
Id: 1/3



Systemic Games, LLC

Sheet: /Power/
File: Power.sch

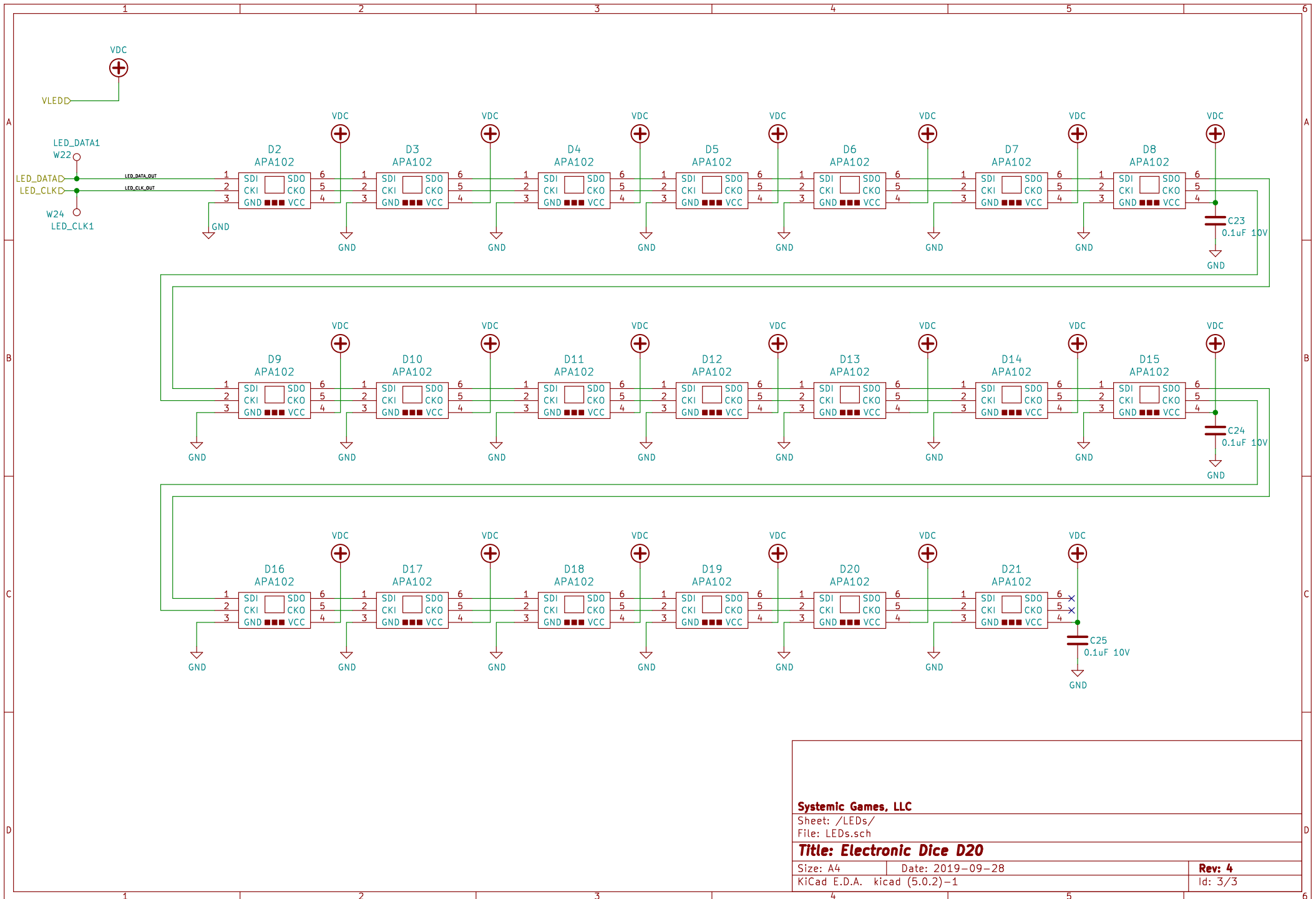
Title: Electronic Dice D20

Size: A4 Date: 2019-09-28

KiCad E.D.A. kicad (5.0.2)-1

Rev: 4

Id: 2/3



Systemic Games, LLC

Sheet: /LEDs/
File: LEDs.sch

Title: Electronic Dice D20

Size: A4 Date: 2019-09-28

KiCad E.D.A. kicad (5.0.2)-1

Rev: 4

Id: 3/3