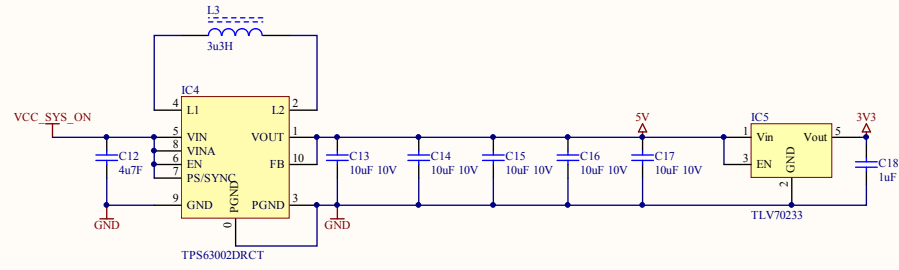
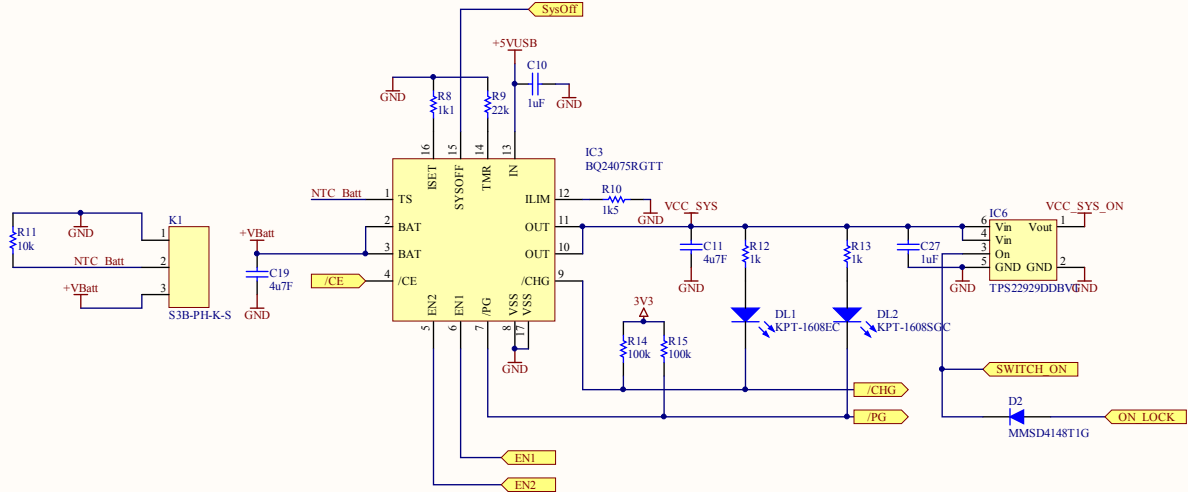


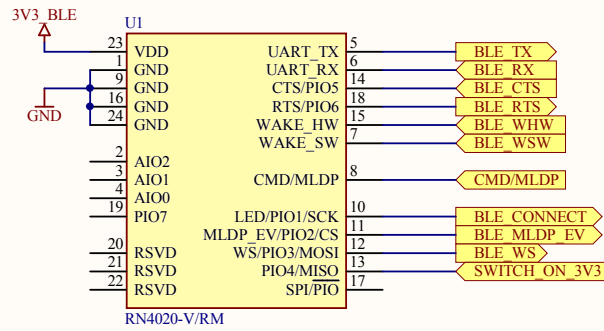
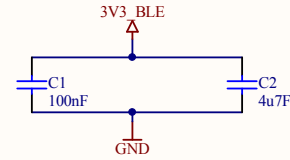
A

B

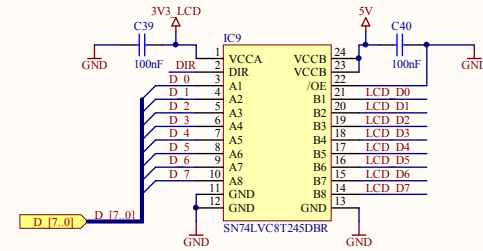
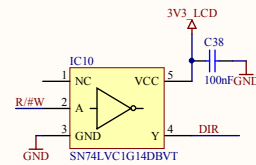
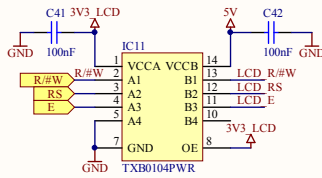
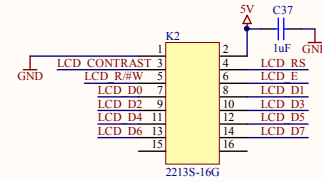
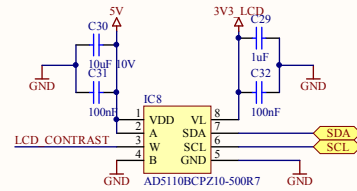
C

D



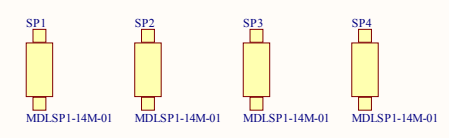
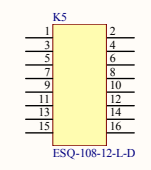
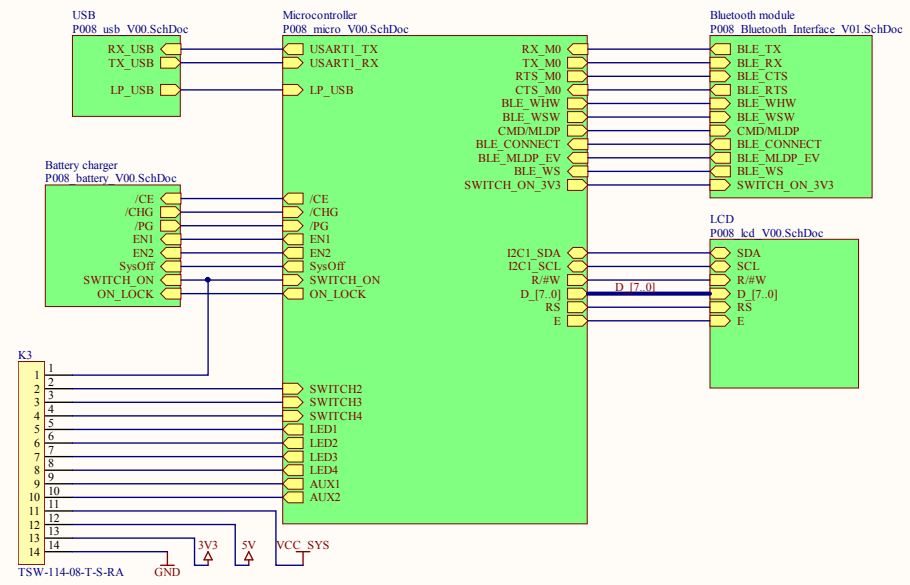


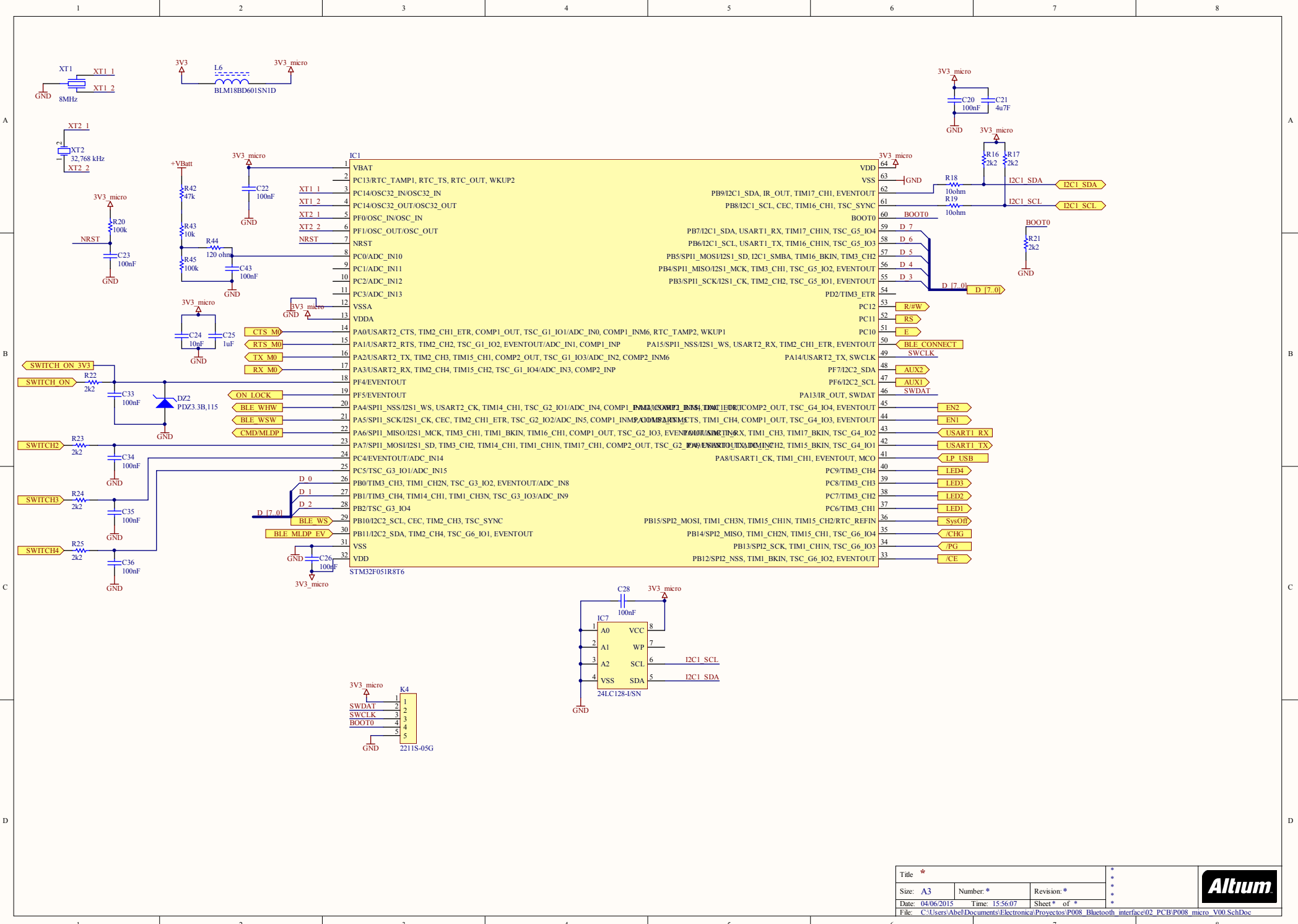
Title		
Size	Number	Revision
A4		
Date:	04/06/2015	Sheet of
File:	C:\Users\...P008 Bluetooth Interface V01	Sheet No. By:

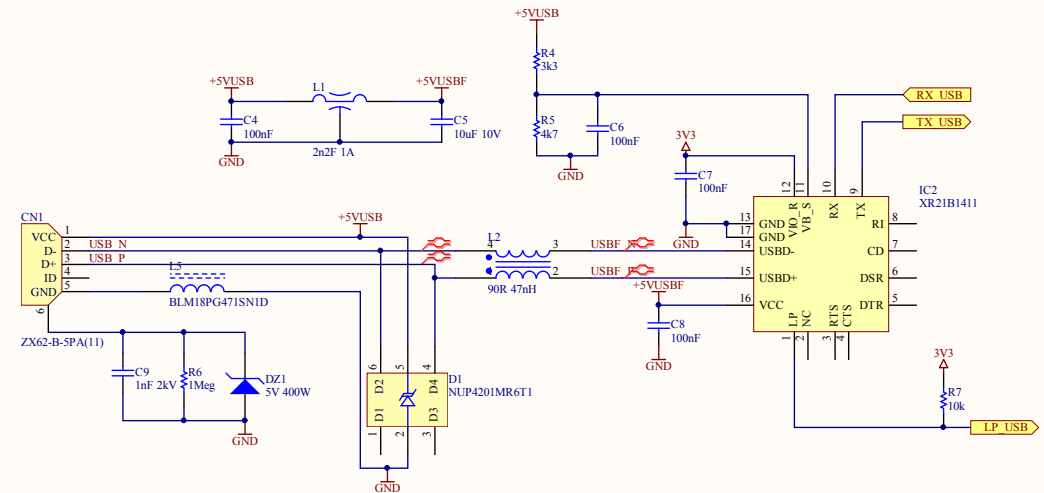


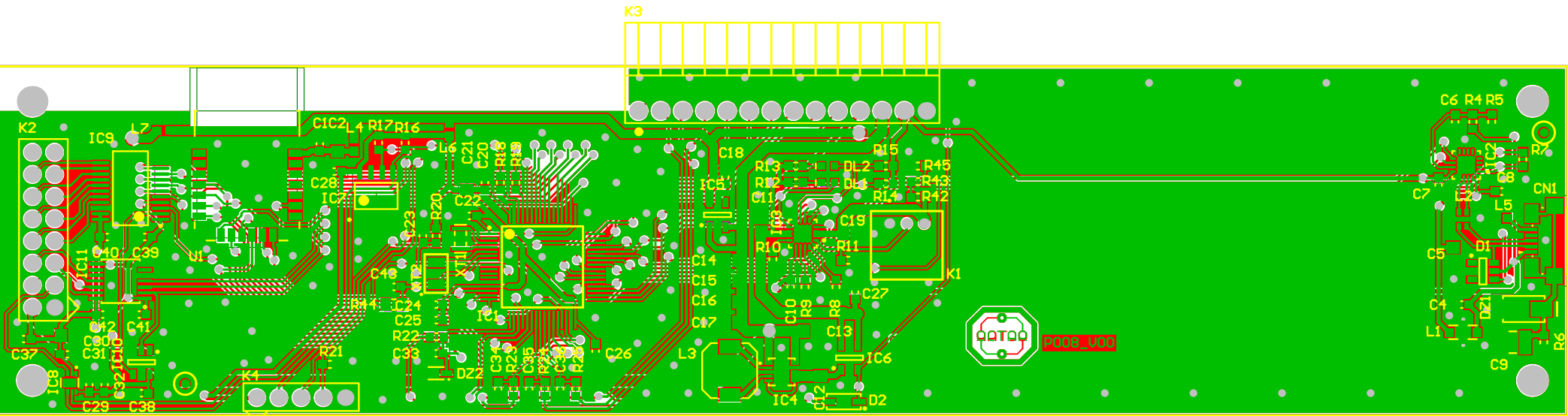
Cannot open file
 C:\Users\Abel\Documents\Electronic\Proyectos\P008_Bluetooth_interface\01_Documentacion\Componentes\lcd\Pinout_lcd.bmp











OCTAR Electronica [Electronica] RATO
 DATE: 04/06/2015 2015-04-06 :DATE
 CODE: P008 PCB_000_P008 :CODE
 LAYER: Top Layer Layer 0 Bottom :LAYER
 SCALE: 1.00 0.1 :SCALE

Code	Type	Description	Manufacturer_code	Value	Designator	Quantity	Stock
CAC001005	Ceramic Capacitor	Ceramic capacitor 100pF 10% 25V 10V SMD	C0603C104K9RAC TU	100pF	C20, C22, C23, C25, C26, C27, C32, C33, C34, C35, C36, C38, C39, C40, C41, C42, C43	20	
CAC002005	Ceramic Capacitor	Ceramic capacitor 100pF 5% 100V X7R SMD	6603C103AT2A TU	100pF	C24	1	
CAC003005	Ceramic Capacitor	Ceramic capacitor 1uF 10% 25V X5R SMD	6603D106AT2A TU	1uF	C10, C18, C25, C27, C29, C37	6	
CAC004005	Ceramic Capacitor	Ceramic capacitor 4u7F 10% 10V X5R SMD	C0805C475K9PAC TU	4u7F	C2, C11, C12, C19, C21	8	
CAC005005	Ceramic Capacitor	Ceramic capacitor 1uF 10% 20V X5R SMD	C1210C102K05A TU	1uF 20V	C9	1	
CAC006005	Ceramic Capacitor	Ceramic capacitor 10uF 10V 10% X5R SMD	C0805C106K9PAC TU	10uF 10V	C5, C13, C14, C16, C18, C17, C35	7	
CND001005	Data Connector	connector microUSB 2.0, B type, right-angle, SMD right angle	ZMG2-B-6PA(11)	ZMG2-B-6PA(11)	CN1	1	
CNF00100T	PCB Female Connector	PCB connector female 1hp 2.54mm Vertical TH	ESQ-108-12-L-D	ESQ-108-12-L-D	K5	10	
CNM00200T	PCB Male Connector	PCB connector 1hp 2.54mm Vertical TH	J2135-16G	J2135-16G	K2	1	
CNM00300T	PCB Male Connector	PCB connector 1hp 2.54mm Horizontal TH	S3B-PH-K- S3720W	S3B-PH-K-S S3720W	K1	1	
CNM00400T	PCB Male Connector	PCB connector 1hp 2.54mm Horizontal TH	TSW-114-08-T-S- RA	TSW-114-08-T-S- RA	K3	1	
CNM00500T	PCB Male Connector	PCB connector 1hp 2.54mm Vertical TH	J2118-05D	J2118-05D	K4	1	
DL0001005	Diode Led	Diode 325nm 15mcd 120 20mA SMD	KPT-1698EC	KPT-1698EC	DL1	1	
DL0002005	Diode Led	Diode 365nm 15mcd 120 20mA SMD	KPT-1698GC	KPT-1698GC	DL2	1	
DR0001005	Rectifier Diode	Fast Switching Diode 200mA 2A 100V 4mm SMD	MMSD4148T1G	MMSD4148T1G	D2	1	
DT0001005	TVS Diode	TVS 5V 500W 1-Dip SMD	NLUP4201MR6T1	NLUP4201MR6T1	D1	1	
DT0002005	TVS Diode	TVS 17V 500W 1-Dip 400V 5V 5% SMD	SMJ5,0A-E35A	SV 400W	D21	1	
DZ0001005	Zener Diode	Zener 0.4W 200mA 3V3 SOD323 SMD	PDZ3,3B,115	PDZ3,3B,115	D22	1	
					RES, FREQ	2	
CA0001005	Analog Converter	Digital Potentiometer 12C EEPROM 10A 1% 128Steps SMD	ADS110BCP210- 500K7	ADS110BCP210, 500K7	IC8	1	
IC0001005	USB UART Driver	UART FULL-SPEED USB 2.0 UART Controller	PC2181411,18T F	KR2181411	IC2	1	
CE0002005	Espron Memory	CMOS Espron DC 400mA 2.5-5.1V 128Mh SOD8 SMD	48LC128-45N	48LC128-45N	IC7	10	
CL0001005	Level Shifter	B-B Transceiver Voltage Translator 3-state, 5.0V SSOP 24p SMD	SN74VLC1T245D R	SN74VLC1T245D R	IC8	1	
CL0002005	Logic Gate	logic 74VHC Schmitt Inverter 5V SOD18 SMD	SN74VLC1G1408 T	SN74VLC1G1408 T	IC10	1	
CL0003005	Level Shifter	A-B Transceiver Voltage Translator 3-state, 5.0V SSOP 4p SMD	TXB0104PWR	TXB0104PWR	IC11	1	
CM0002005	Module Circuit	Module MCU with 64 Kbit Flash, 8Kbit SRAM, 48 MHz	RN4020-V1RM	RN4020-V1RM	U1	1	
CP0001005	Processor	MCU STM32F1051RET6	STM32F1051RET6	STM32F1051RET6	IC1	1	
CS0001005	Power Supply Device	Li-Ion Battery Charger, Precharge 1.5A 4.2V, SMD	BQ24075RGTT	BQ24075RGTT	IC3	1	
CS0002005	Power Supply Device	Buck Boost 96% 1.5V 0.1A 9mV 1.2A 3x3mm QFN SMD	TPS63002DRCT	TPS63002DRCT	IC4	1	
CS0003005	Power Supply Device	DC-DC Converter 200mA 1.3V SOT-23 SMD	TLV70233DBVR	TLV70233	IC5	1	
CS0004005	Power Supply Device	DC-DC Converter 1.8A 115mOhm SOT 23 SMD	TPS22020DBVT	TPS22020DBVT	IC6	1	
NB0001005	Ferite Bead	Ferite Bead Series Ferrite Bead 470ohms 1A SMD	BLM18PG471SN1	BLM18PG471SN1	B5	1	
NB0002005	Ferite Bead	Ferite Bead Series Ferrite Bead 100ohms 200mA SMD	BLM18BD01SN1	BLM18BD01SN1	B4, L6, L7	3	
NC0001005	CM Choke Inductor	USB 2.0 COMMON MODE CHOKE 30 47mH SMD	CM0605D9008-10	CM0605D9008-10	L2	1	
NP0001005	EMI Filter	EMI Filter 2000PF 1A SMD	EM100022219 D	EM100022219 D	2022F 1A	1	
NP0002005	Power Inductor	Ferite Inductor Shielded 3.3uH 200 31mOhm 1.5A 6.3x6.3x3mm SMD	BQ2462G433M00	BQ2462G433M00	L3	1	
LCC00100T	OLED LCD	Alphanumeric Char LCD 20x2 Character, 5.6" 5V 180x60mm Hsp TH	WEH0002008LPP 4000000	WEH0002008 LCD_20x2		10	
QSC0001005	Quartz Crystal	Quartz Crystal 32.768 kHz 12.5pF SMD	ABS07-32-7680C T	32.768 kHz	XT2	1	
CR0001005	Ceramic Resistor	Ceramic Resistor 8.00M Ω 400mW SMD	CSTCE8M0035 R0	8M Ω	RT1	1	
PCBP0000F	PCB Board	PCB Double Side 180x40mm Class PC	P00F00	P00F00	PCB	10	
REF0001005	Film Resistor	Film Resistor 1% SMD	RC0603FR-07100K	10k	R14, R15, R20, R4	4	
REF002005	Film Resistor	Film Resistor 2k2 1% SMD	RC0603FR-072K2	2k2	R16, R17, R21, R22, R23, R24, R4	7	
REF003005	Film Resistor	Film Resistor 1% SMD	RC0603FR-07100M	100m	R18, R19	2	
REF004005	Film Resistor	Film Resistor 5% SMD	RC0603FR-0747k	47k	R42	1	
REF005005	Film Resistor	Film Resistor 5% SMD	RC0603FR-07400K	40k	R5	1	
REF006005	Film Resistor	Film Resistor 0.1% SMD	RC0603FR-07100K	100k	R8	1	
REF007005	Film Resistor	Film Resistor 0.1% SMD	RC0603FR-07100K	100k	R4	1	
REF008005	Film Resistor	Film Resistor 1% SMD	RC0603FR-07100K	10k	R7, R11, R43	3	
REF009005	Film Resistor	Film Resistor 5% SMD	RC0603FR-07100K	1k	R12, R13	2	
REF010005	Film Resistor	Film Resistor 0.1% SMD	RC0603FR-07100K	10k	R10	1	
REF011005	Film Resistor	Film Resistor 1% SMD	RC0603FR-07100K	1k	R1	1	
REF012005	Film Resistor	Film Resistor 0.1% SMD	RC0603FR-07100K	10k	R9	1	
REF013005	Film Resistor	Film Resistor 1% SMD	RC0603FR-07100K	100k	R44	1	
REF014005	Film Resistor	Film Resistor 0.1% SMD	RC0603FR-07100K	100k	R45	1	
REF015005	Film Resistor	Film Resistor 1% SMD	RC0603FR-07100K	100k	R46	1	
ES000100A	Plastic Encoder	Enc. 16 pins 32 4x12.5x11.4x0.1	MSLSP1-148-01	MSLSP1-148-01	SP1, SP2, SP3, SP4	10	