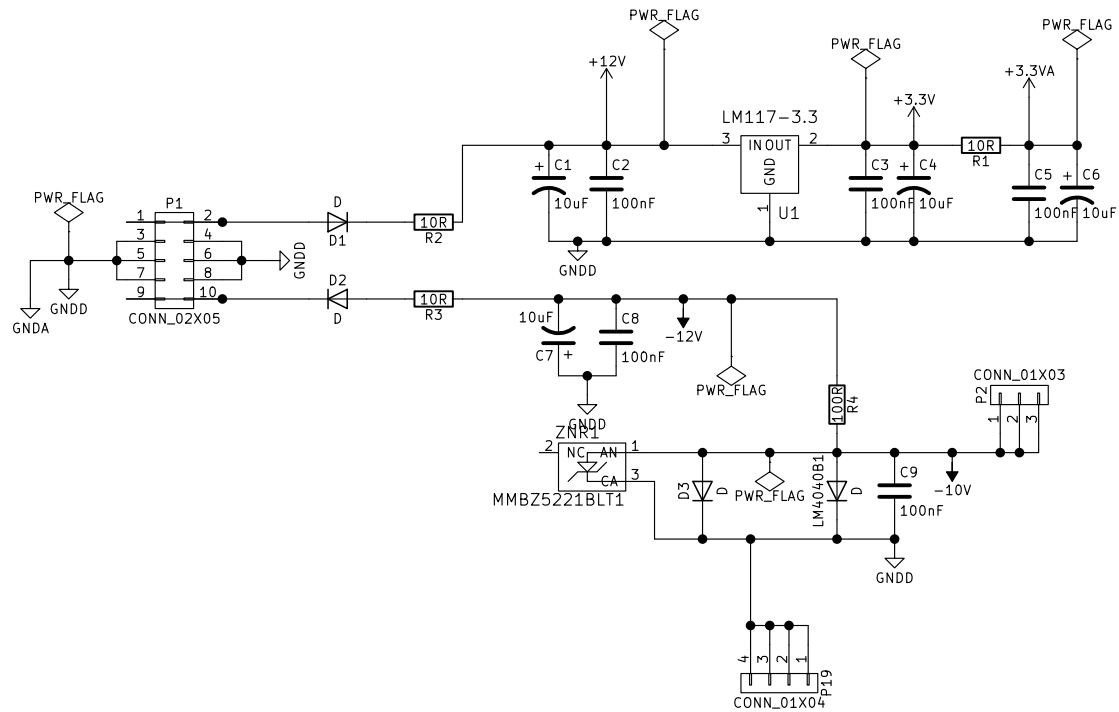


A	1	2	3	4	5	6
B	1	2	3	4	5	6
C	1	2	3	4	5	6
D	1	2	3	4	5	6

POW
 POW.sch
 MICRO
 MICRO.sch
 DIGITAL_OUT
 DIGITAL_OUT.sch
 ANALOG_IN
 ANALOG_IN.sch
 ANALOG_OUT
 ANALOG_OUT.sch

Sheet: / File: env_arm.sch		
Title:		
Size: A4	Date:	Rev:
KiCad E.D.A. kicad 4.0.5		Id: 1/6

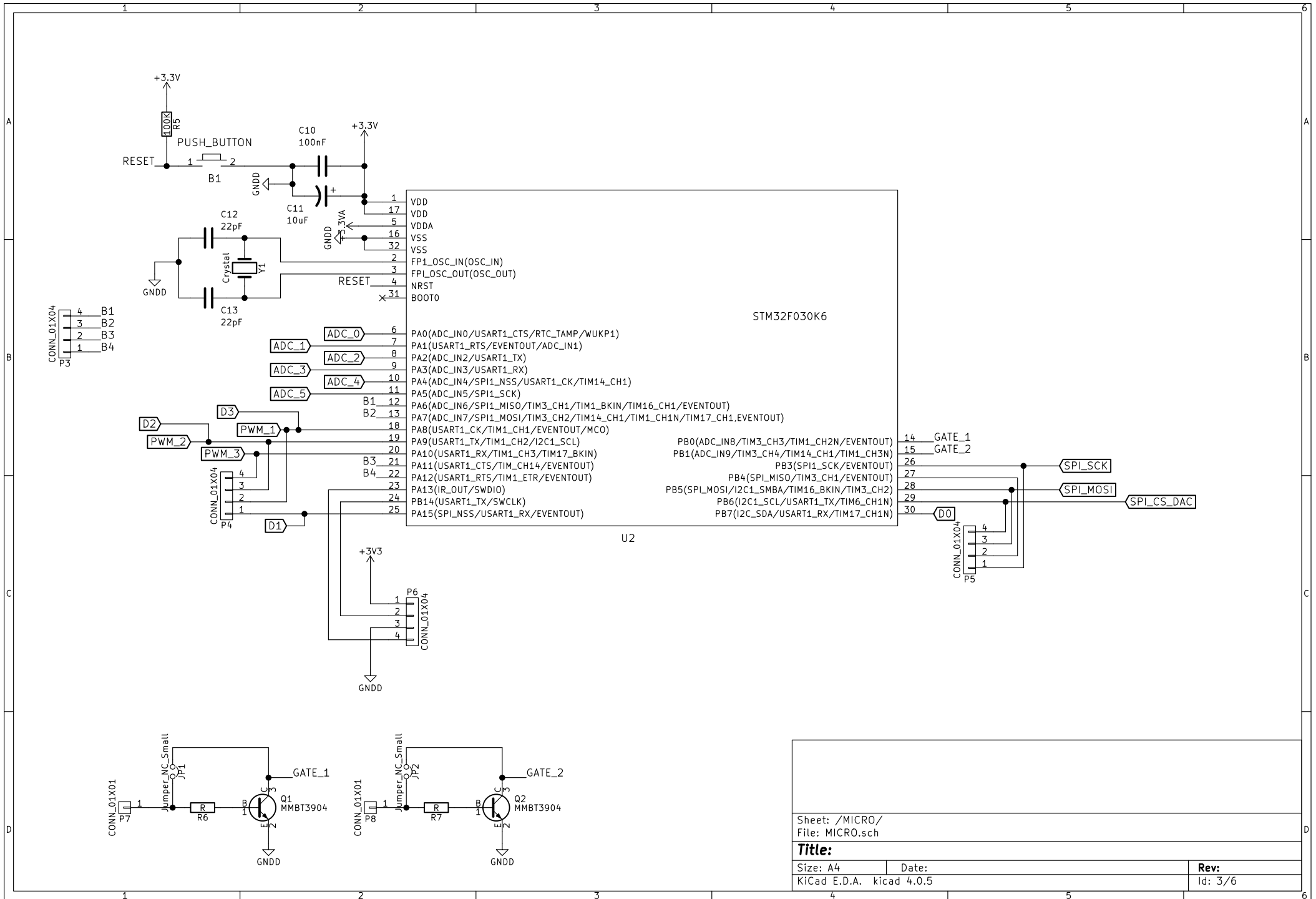


Sheet: /POW/
File: POW.sch

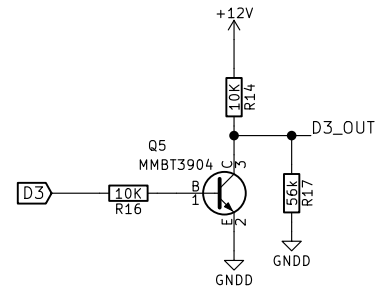
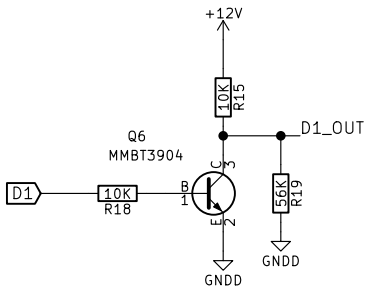
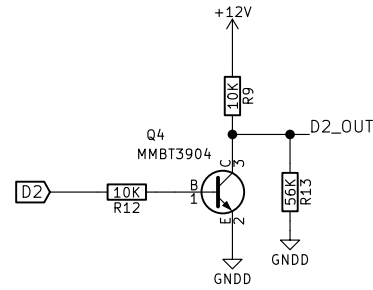
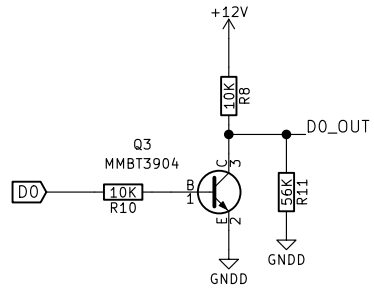
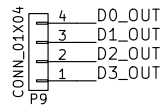
Title:

Size: A4 Date:
KiCad E.D.A. kicad 4.0.5

Rev:
Id: 2/6



Sheet: /MICRO/	
File: MICRO.sch	
Title:	
Size: A4	Date:
KiCad E.D.A. kicad 4.0.5	Rev: Id: 3/6



SHOULD GIVE 10.08V AT THE OUTPUT OF TRANSISTORS

Sheet: /DIGITAL_OUT/
File: DIGITAL_OUT.sch

Title:

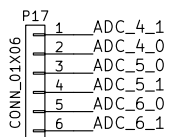
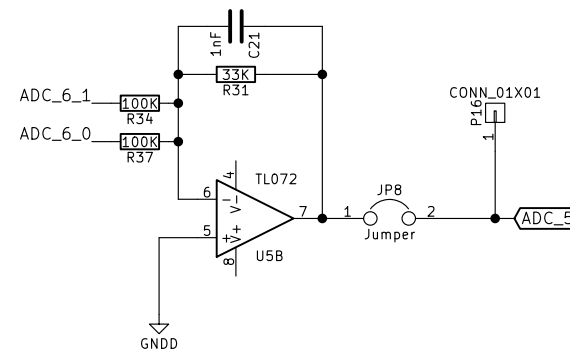
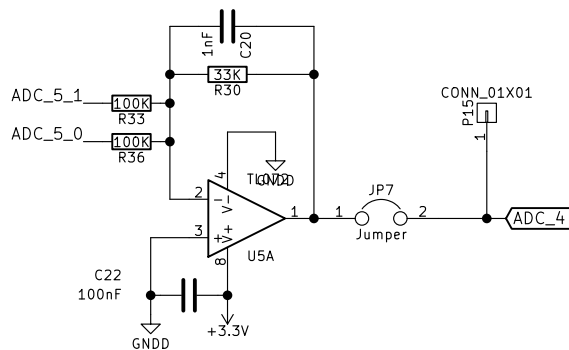
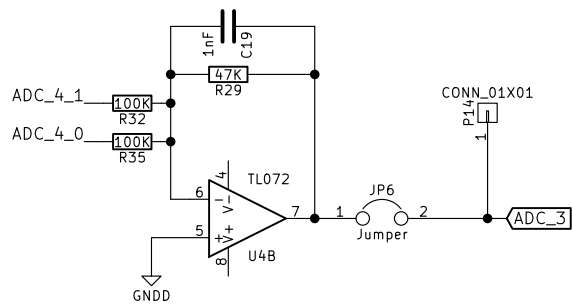
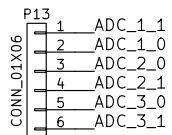
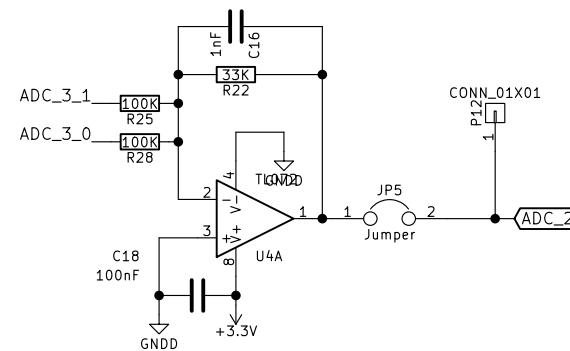
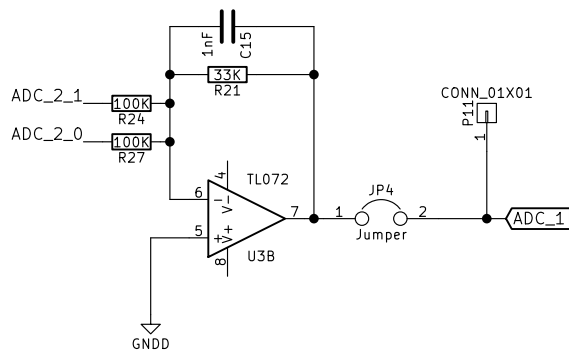
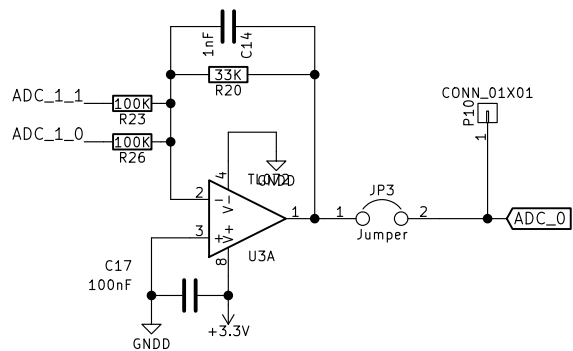
Size: A4

Date:

KiCad E.D.A. kicad 4.0.5

Rev:

Id: 4/6



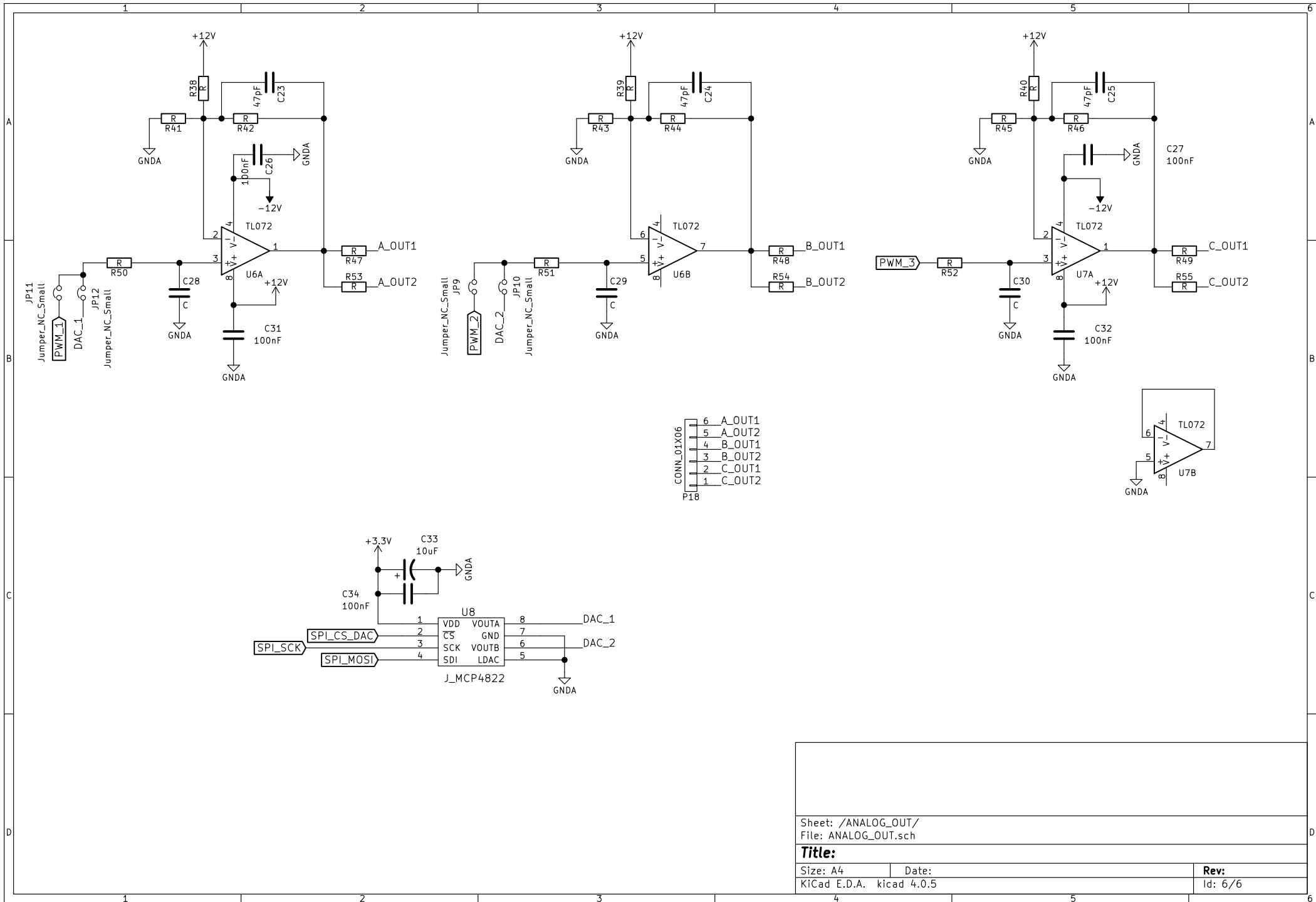
Sheet: /ANALOG_IN/
File: ANALOG_IN.sch

Title:

Size: A4
KiCad E.D.A. kicad 4.0.5

Date:

Rev:
Id: 5/6



Sheet: /ANALOG_OUT/	
File: ANALOG_OUT.sch	
Title:	
Size: A4	Date:
KiCad E.D.A. kicad 4.0.5	Rev: Id: 6/6