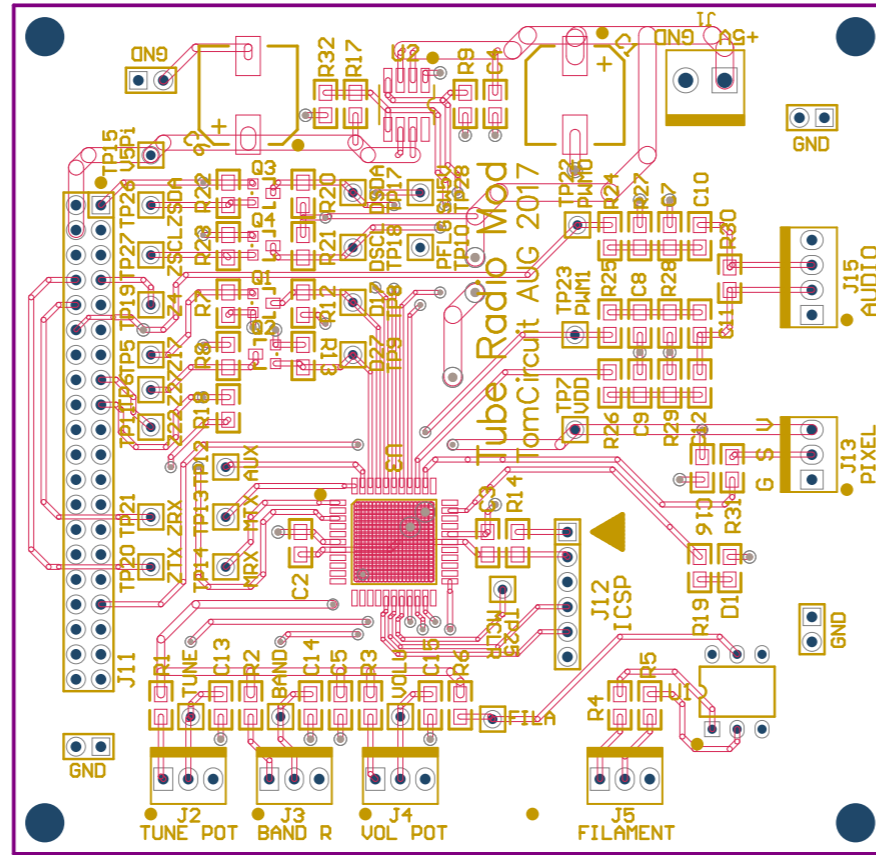


3.5 x 3.4 INCH



- POWER CONNECTOR
 J1-1 - 5V SUPPLY
 J1-2 - GROUND
- CONTROL CONNECTORS
 J2-1 - TUNING POT H
 J2-2 - TUNING POT W
 J2-3 - TUNING POT L
- J3-1 - BAND RMUX H
 J3-2 - BAND RMUX W
 J3-3 - BAND RMUX L
- J4-1 - VOLUME POT H
 J4-2 - VOLUME POT W
 J4-3 - VOLUME POT L
- FILAMENT CONNECTOR
 J5-1 - 6.3VAC FILAMENT
 J5-2 - 6.3VAC FILAMENT
- NEOPIXEL CONNECTOR
 J13-1 - GROUND
 J13-2 - PIXEL SERIAL OUT
 J13-3 - VDD OUT
- AUDIO CONNECTOR
 J15-1 - GROUND
 J15-2 - LEFT/ANN OUT
 J15-3 - RIGHT OUT
 J15-4 - GROUND
- RASPBERRY PI ZERO W (J11)

FAB NOTES DO NOT FAB!

Title Wilcox Gay P1		
Size A	Number	Rev 1
August 2, 2017		THOMAS LEMENSE
WILCOX GAY.ddb		SHEET 1 OF 1