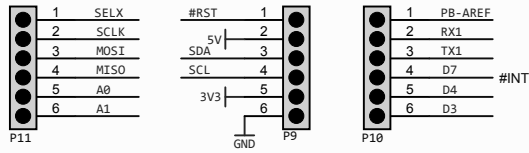
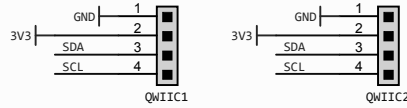


### Expansion module



### STEMMA-QT/QWIC



### Backplane

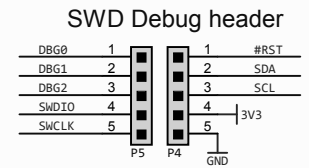
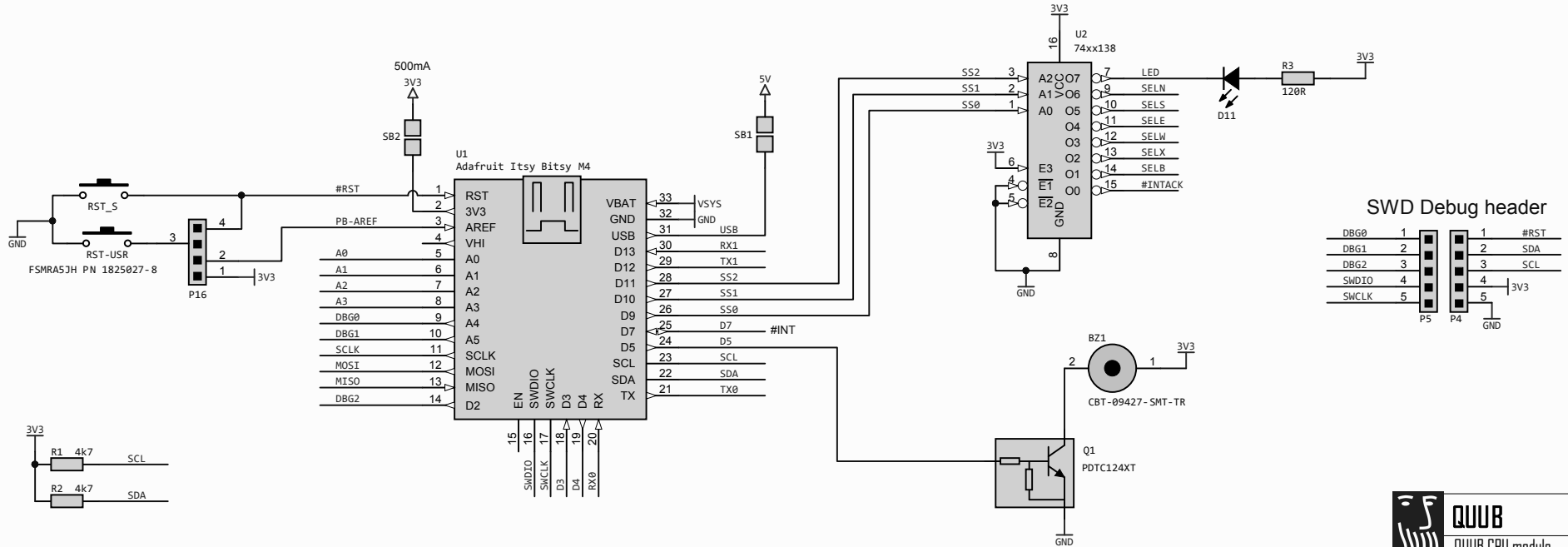
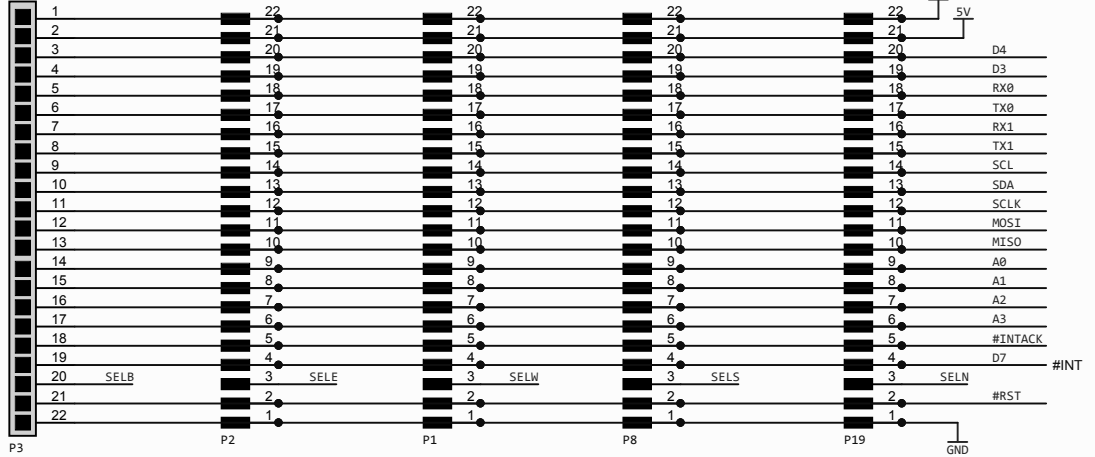


### East wall

### West wall

### South wall

### North wall



**QUUB**  
 QUUB CPU module  
 Date :: 12/09/2021  
 Rev :: 2.0  
 Sheet :: 1 of 1

GRAYnomad Designs  
 quub.org