

GFI & Power

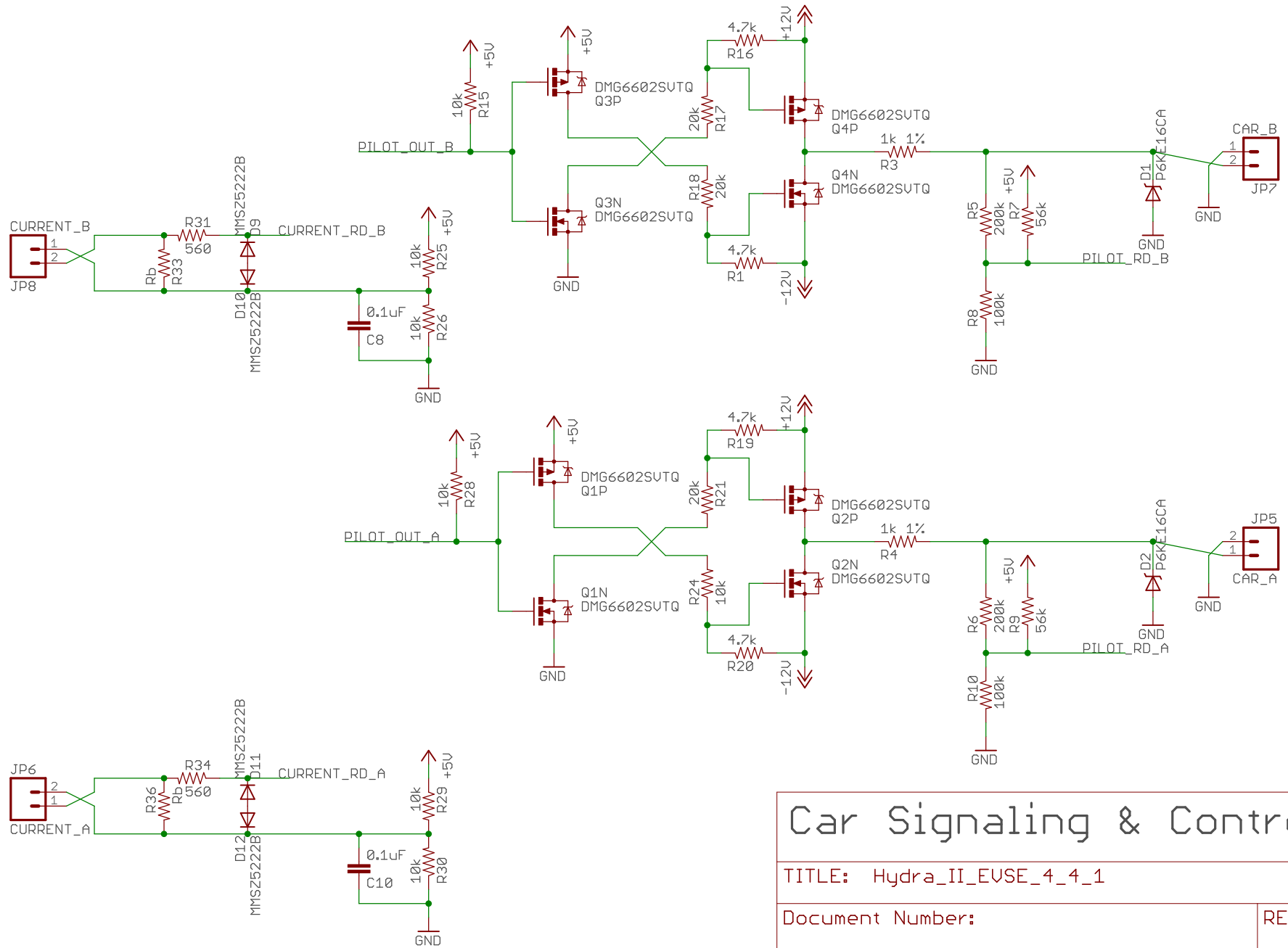
TITLE: Hydra_II_EVSE_4_4_1

Document Number:

REV:

Date: 12/28/18 9:45 AM

Sheet: 1/3

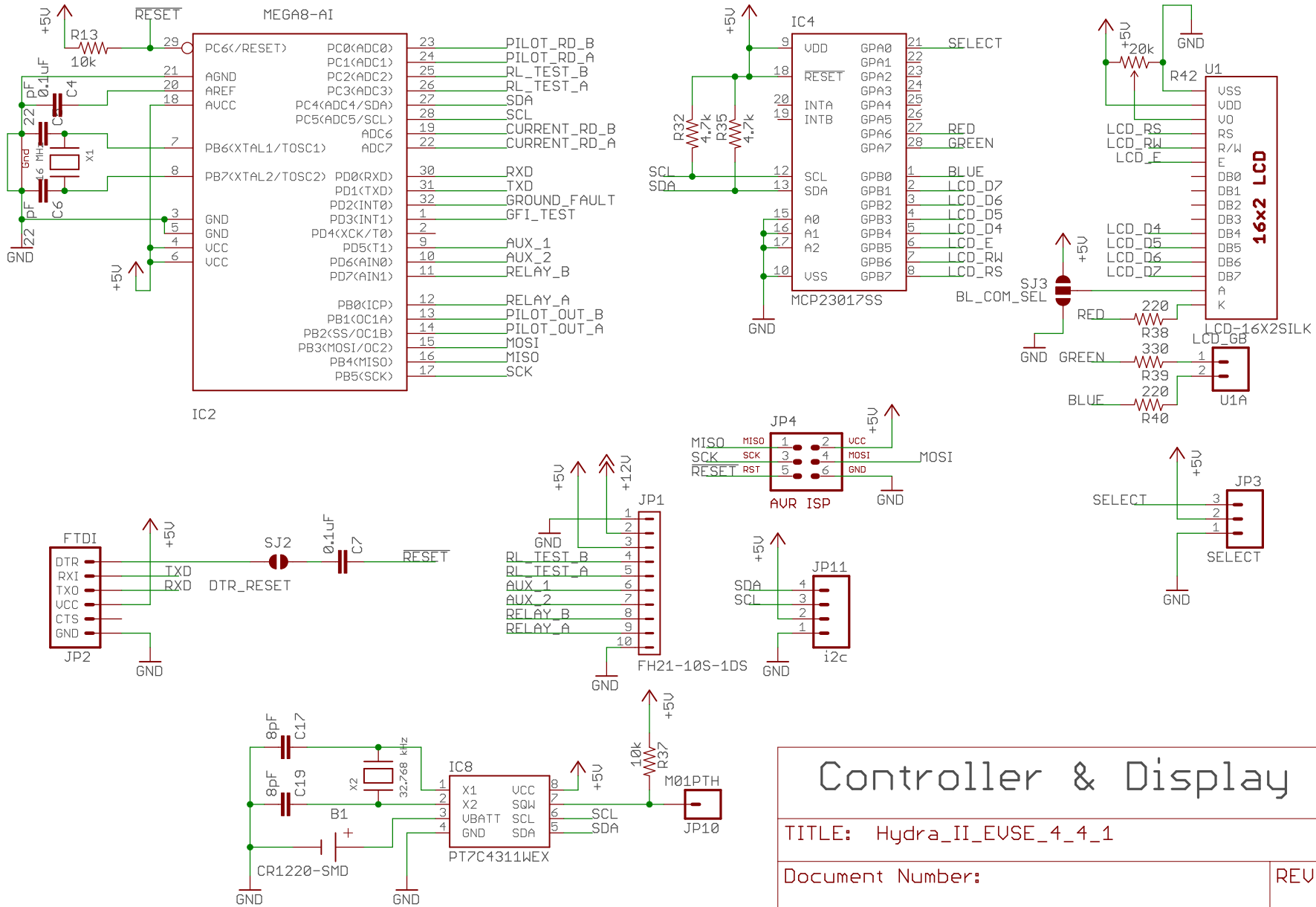


Car Signaling & Control

TITLE: Hydra_II_EVSE_4_4_1

Document Number: _____ REV: _____

Date: 12/28/18 9:45 AM Sheet: 2/3



Controller & Display

TITLE: Hydra_II_EVSE_4_4_1

Document Number:

REV:

Date: 12/28/18 9:45 AM

Sheet: 3/3