

1

2

3

4

5

A

A

B

B

C

C

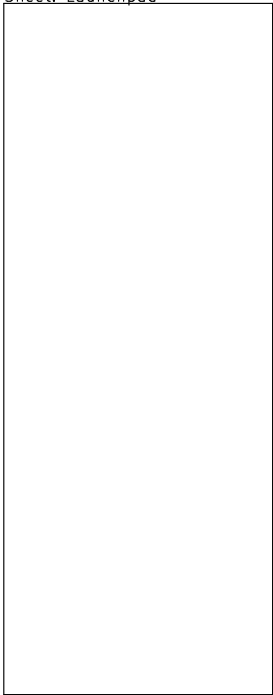
D

D

Mounting Holes
125 mil for 4-40/M2.5/M3 screws

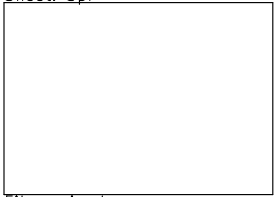
LaunchPad		Chassis	
MH4 ×1 CONN_01X01	MH3 ×1 CONN_01X01	MH8 ×1 CONN_01X01	MH7 ×1 CONN_01X01
MH2 ×1 CONN_01X01	MH1 ×1 CONN_01X01	MH6 ×1 CONN_01X01	MH5 ×1 CONN_01X01

Sheet: Launchpad



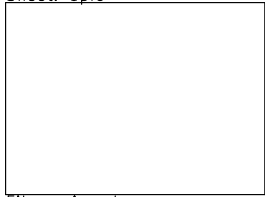
File: launchpad.sch

Sheet: Spi



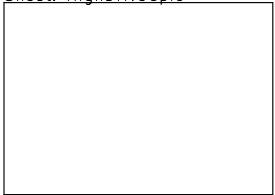
File: spi.sch

Sheet: Gpio



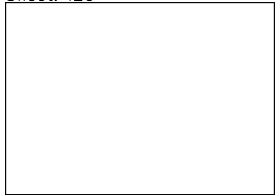
File: gpio.sch

Sheet: HighDriveGpio



File: high-drive-gpio.sch

Sheet: I2c



File: i2c.sch

Licensed under a Creative Commons Attribution 4.0 International License

(C) 2018 Dale R. Scott

dalescott.net

Sheet: /

File: booster-i2c.sch

Title: BOOSTER-I2C

Size: A Date: 2018-02-06

KiCad E.D.A. kicad 4.0.7

Rev: 008-X04

Id: 1/6

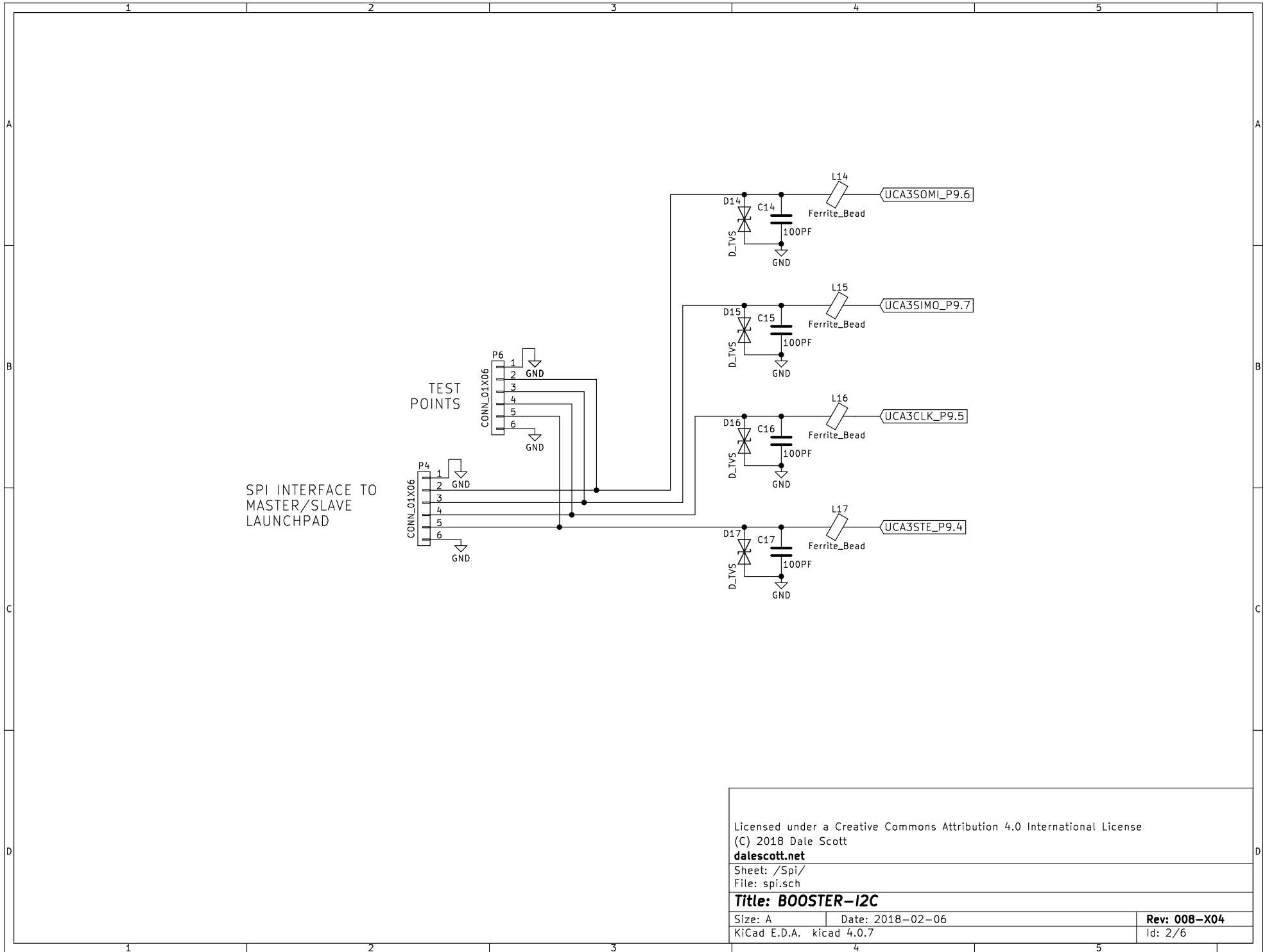
1

2

3

4

5



Licensed under a Creative Commons Attribution 4.0 International License
 (C) 2018 Dale Scott

dalescott.net

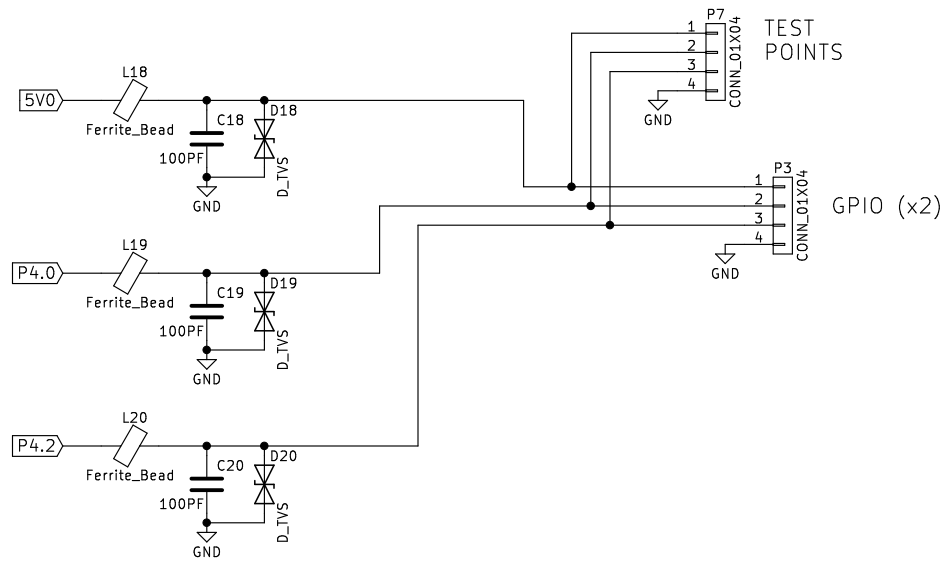
Sheet: /Spi/
 File: spi.sch

Title: BOOSTER-I2C

Size: A Date: 2018-02-06

KiCad E.D.A. kicad 4.0.7

Rev: 008-X04
 Id: 2/6



Licensed under a Creative Commons Attribution 4.0 International License
 (C) 2018 Dale R. Scott

dalescott.net
 Sheet: /Gpio/
 File: gpio.sch

Title: BOOSTER-I2C

Size: A Date: 2018-02-06
 KiCad E.D.A. kicad 4.0.7

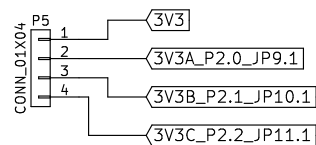
Rev: 008-X04
 Id: 3/6

JUMPERS TO HIGH-DRIVE GPIO FROM LAUNCHPAD.

OF MSP432 HIGH-DRIVE GPIO P2.0, P2.1, P2.2 AND P2.3,
ONLY P2.3 IS AVAILABLE ON A LAUNCHPAD CONNECTOR.
THE REMAINING HIGH-DRIVE GPIO MUST BE OBTAINED
FROM LAUNCHPAD LED2 PIN HEADER.

JUMPER P5 PINS 2-4 TO LAUNCHPAD JP9-JP11 RESPECTIVELY
("TOP" PIN OF 1X2 PIN HEADER ON LAUNCHPAD).

TO USE MPU 3V3 FOR 3V3A, JUMPER P5 PIN 2 TO P5 PIN 1
(INSTEAD OF TO LAUNCHPAD).



Licensed under a Creative Commons Attribution 4.0 International License
(C) 2018 Dale R. Scott

dalescott.net

Sheet: /HighDriveGpio/
File: high-drive-gpio.sch

Title: BOOSTER-I2C

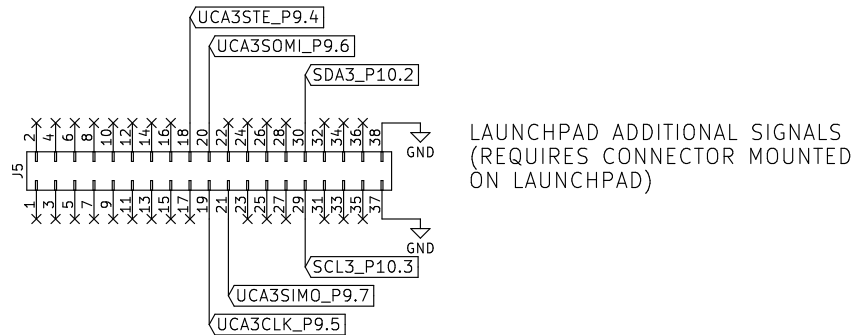
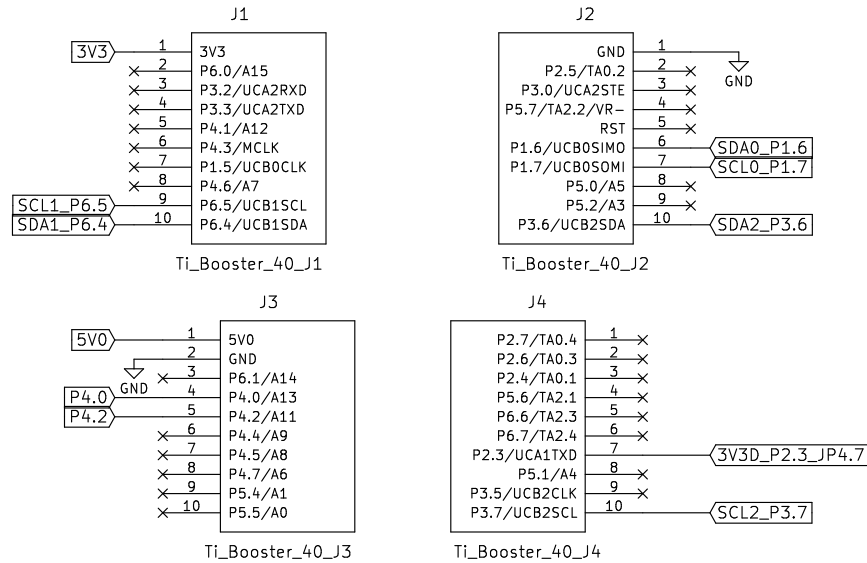
Size: A Date: 2018-02-06

KiCad E.D.A. kicad 4.0.7

Rev: 008-X04

Id: 4/6

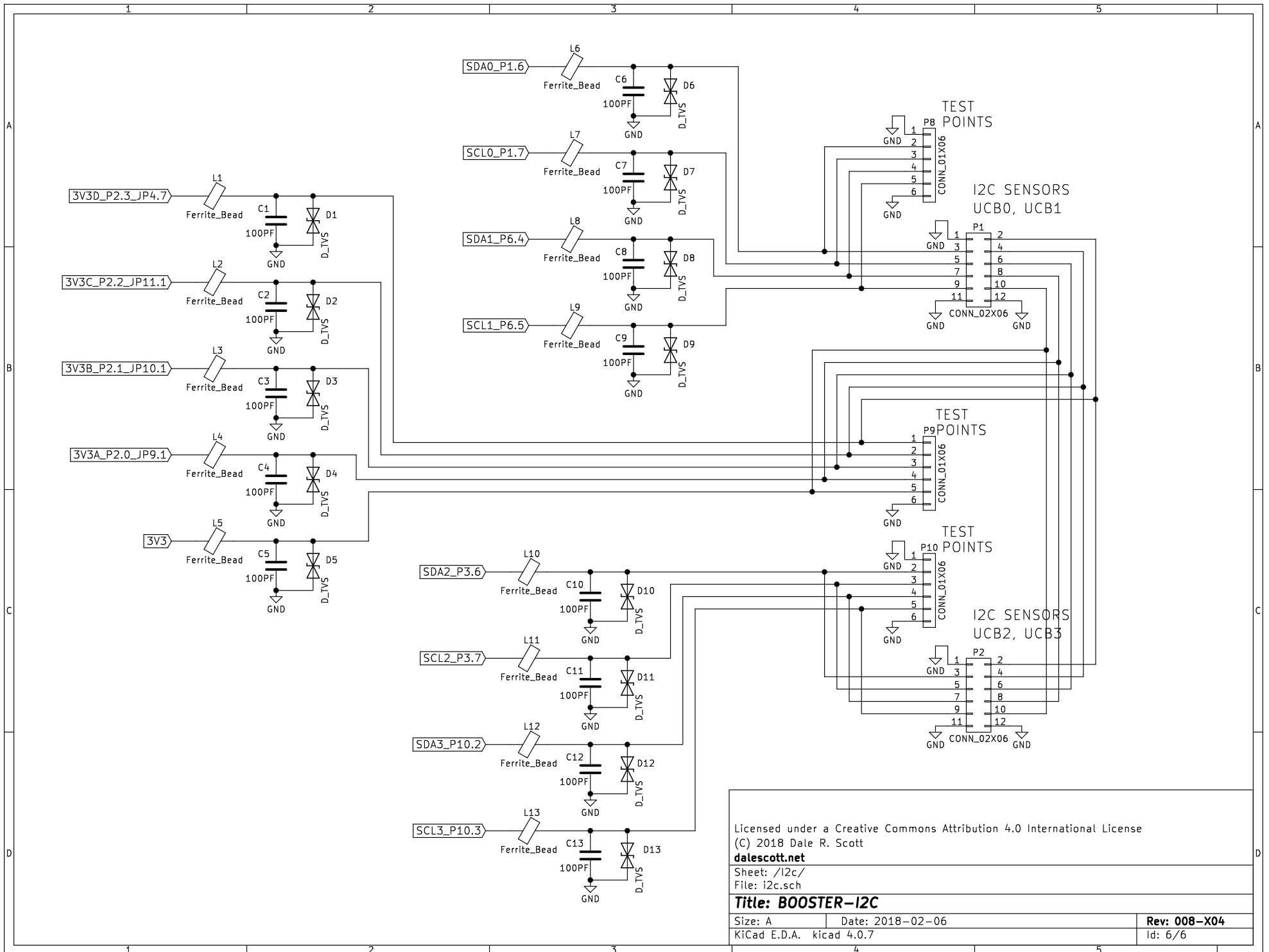
TI EXP-MSP432P401R LAUNCHPAD



LAUNCHPAD ADDITIONAL SIGNALS
(REQUIRES CONNECTOR MOUNTED
ON LAUNCHPAD)

J1 - J4 AND J5 PIN NAME AND POSITION IN CONNECTOR ARE CORRECT.
PIN NUMBERING ON LAUNCHPAD AND IN OTHER DOCUMENTATION MAY DIFFER.

Licensed under a Creative Commons Attribution 4.0 International License (C) 2018 Dale R. Scott dalescott.net	
Sheet: /Launchpad/ File: launchpad.sch	
Title: BOOSTER-12C	
Size: A	Date: 2018-02-06
KiCad E.D.A. kicad 4.0.7	Rev: 008-X04 Id: 5/6



Licensed under a Creative Commons Attribution 4.0 International License
 (C) 2018 Dale R. Scott

dalescott.net
 Sheet: /i2c/
 File: i2c.sch

Title: BOOSTER-I2C

Size: A Date: 2018-02-06
 KiCad E.D.A. kicad 4.0.7

Rev: 008-X04
 Id: 6/6