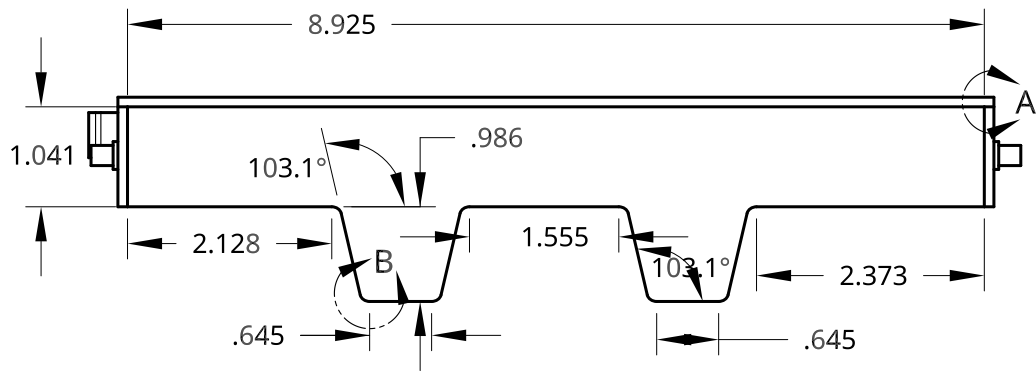


2

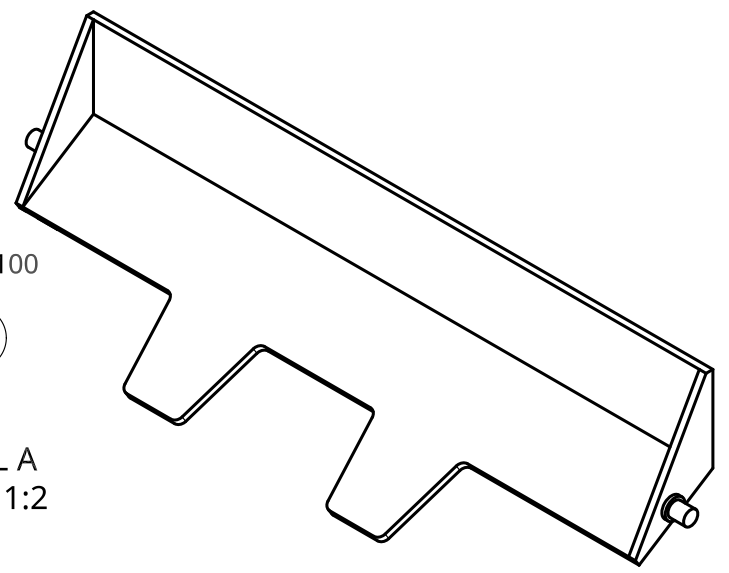
1



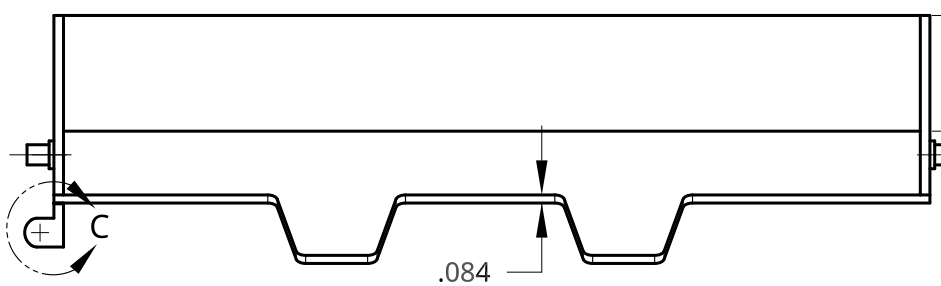
DETAIL B FILLET R0.1
SCALE 1:2



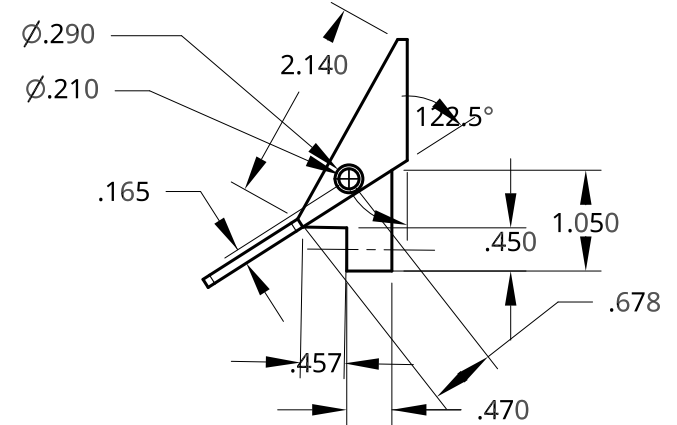
DETAIL A
SCALE 1:2



SCALE 1:2



DETAIL C
SCALE 1:1



Ø.290
Ø.210

1.205

2.140

122.5°

.450

1.050

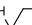
.678

.457

.470


A

A

UNLESS OTHERWISE SPECIFIED,
DIMENSIONS ARE IN INCHES
.XX = ±.0-
.XXX = ±.00-
.XXXX = ±.000-
SURFACE FINISH 

	NAME	DATE
DRAWN	Kyra Stovicek	02/08/2018
CHECKED		
APPROVED		

TITLE		
Ice Maker Part		
SIZE	DWG. NO.	REV.
A	1	-
SCALE	WEIGHT	SHEET
1:4		1 of 1

DO NOT SCALE DRAWING
BREAK ALL SHARP EDGES AND
REMOVE BURRS
THIRD ANGLE PROJECTION


MATERIAL	FINISH
PLA	

2

1