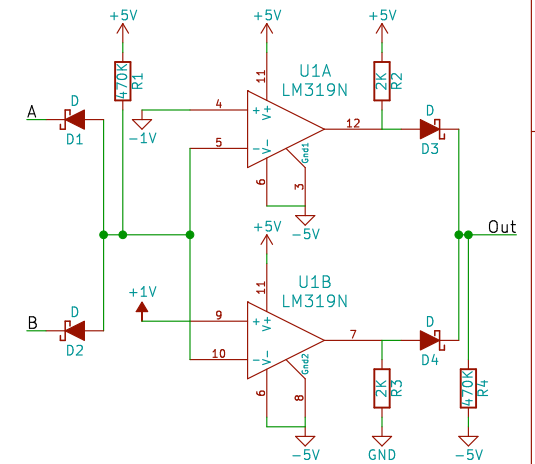
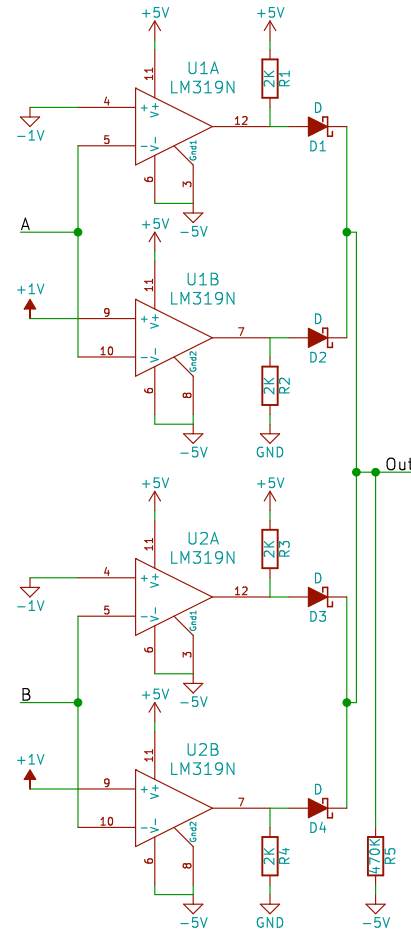
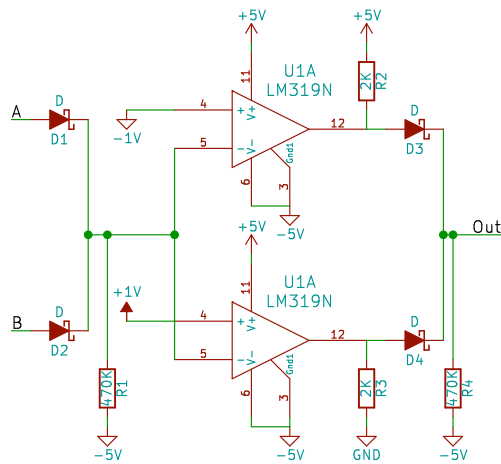
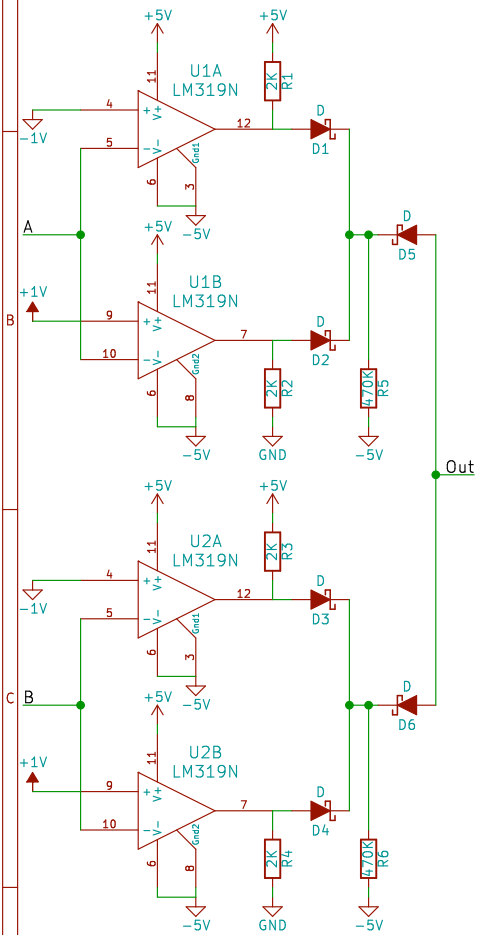


Antimax (NOR)				
Out	B			
	-	0	+	
A	-	+	0	-
	0	0	0	-
+	-	-	-	-

Antimax (NOR)				
Out	B			
	-	0	+	
A	-	+	0	-
	0	0	0	-
+	-	-	-	-

Antimin (NAND)				
Out	B			
	-	0	+	
A	-	+	+	0
	0	+	0	0
+	+	0	0	-

Antimin (NAND)				
Out	B			
	-	0	+	
A	-	+	+	0
	0	+	0	0
+	+	0	0	-



Implementation Uses LM319 Comparators

Sheet: /
File: Antimin, Antimax.sch

Title: Antimax (Driven And Un-Driven), Antimin

Size: USLetter Date: 2015-08-31

Rev: 2

KiCad E.D.A. eeschema (2015-06-28 BZR 5838)-product

Id: 1/1