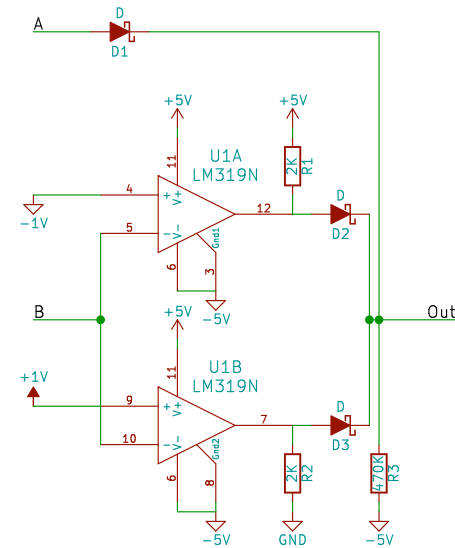
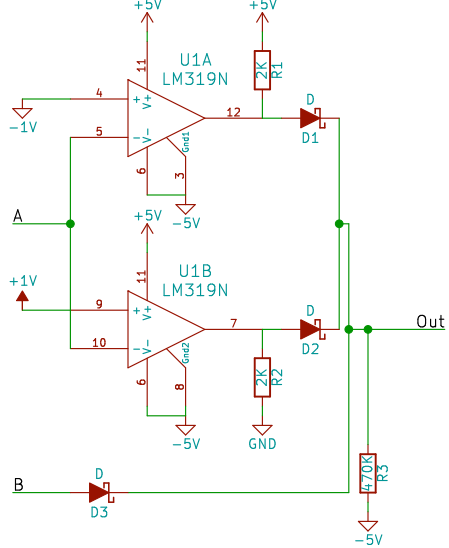
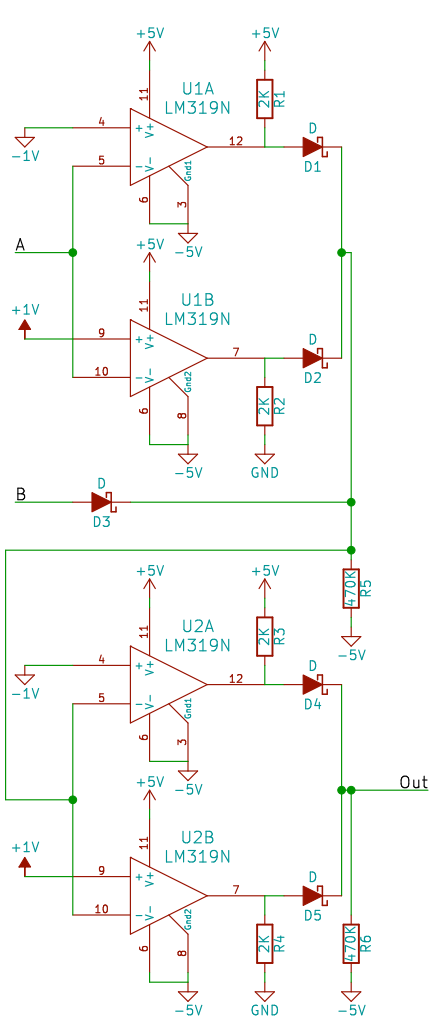
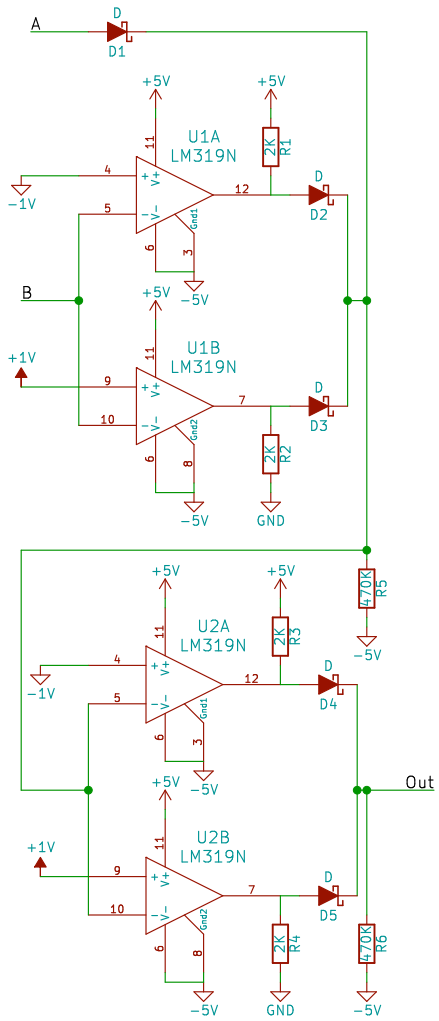


| Nonimplication |   |   |   |
|----------------|---|---|---|
| Out            | B |   |   |
|                | - | 0 | + |
| A              | - | 0 | + |
| -              | 0 | 0 | - |
| 0              | 0 | 0 | 0 |
| +              | + | 0 | - |

| Converse Nonimplication |   |   |   |
|-------------------------|---|---|---|
| Out                     | B |   |   |
|                         | - | 0 | + |
| A                       | - | 0 | + |
| -                       | 0 | 0 | 0 |
| 0                       | 0 | 0 | 0 |
| +                       | - | - | - |

| Implication |   |   |   |
|-------------|---|---|---|
| Out         | B |   |   |
|             | - | 0 | + |
| A           | - | + | + |
| -           | + | 0 | + |
| 0           | 0 | 0 | 0 |
| +           | - | 0 | + |

| Converse Implication |   |   |   |
|----------------------|---|---|---|
| Out                  | B |   |   |
|                      | - | 0 | + |
| A                    | - | + | 0 |
| -                    | + | 0 | - |
| 0                    | + | 0 | 0 |
| +                    | + | + | + |



Implementation Uses LM319 Comparators

Sheet: /  
 File: ImplicationGates2.sch

**Title: Implication, Nonimp, Converse Imp, Converse Nonimp**

|   |                  |         |
|---|------------------|---------|
| Size: USLetter                                      | Date: 2015-08-18 | Rev: 3  |
| KiCad E.D.A. eeschema (2015-06-28 BZR 5838)-product |                  | Id: 1/1 |