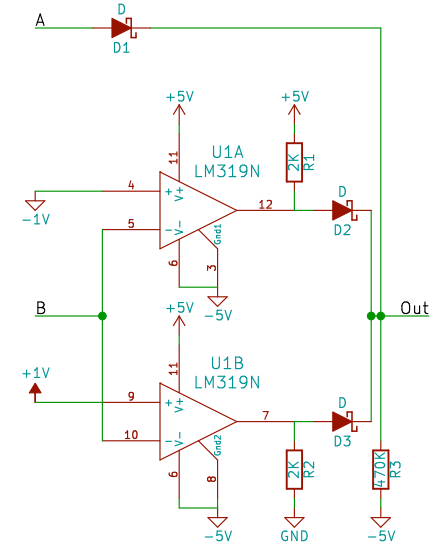
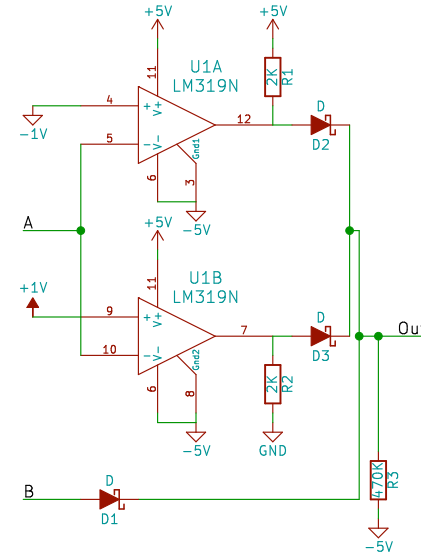
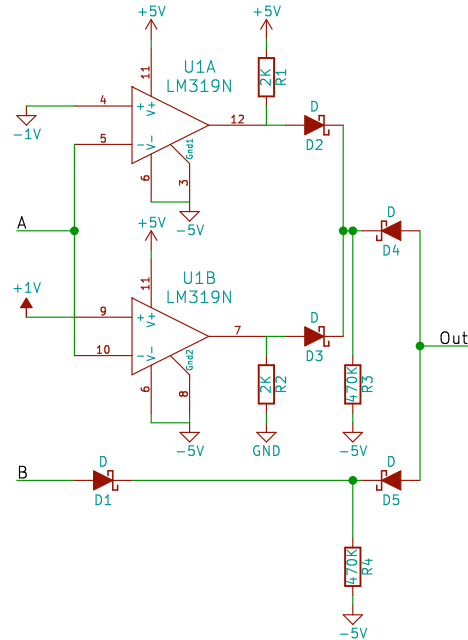
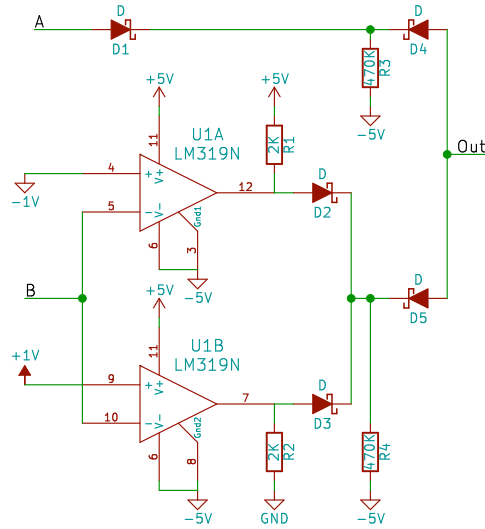


Nonimplication			
Out	B		
	-	0	+
A	-	-	+
	0	0	-
	+	+	0

Implication			
Out	B		
	-	0	+
A	-	+	+
	0	0	+
	+	-	0

Converse Nonimplication			
Out	B		
	-	0	+
A	-	-	0
	0	-	0
	+	-	-

Converse Implication			
Out	B		
	-	0	+
A	-	+	0
	0	+	0
	+	+	+



Implementation Uses LM319 Comparators

Sheet: /
File: ImplicationGates2.sch

Title: Implication, Nonimp, Converse Imp, Converse Nonimp

Size: USLetter Date: 2015-09-01

Rev: 4

KiCad E.D.A. eeschema (2015-06-28 BZR 5838)-product

Id: 1/1