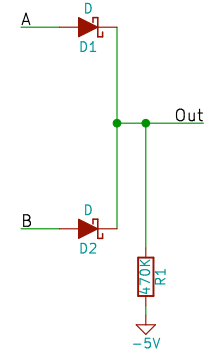
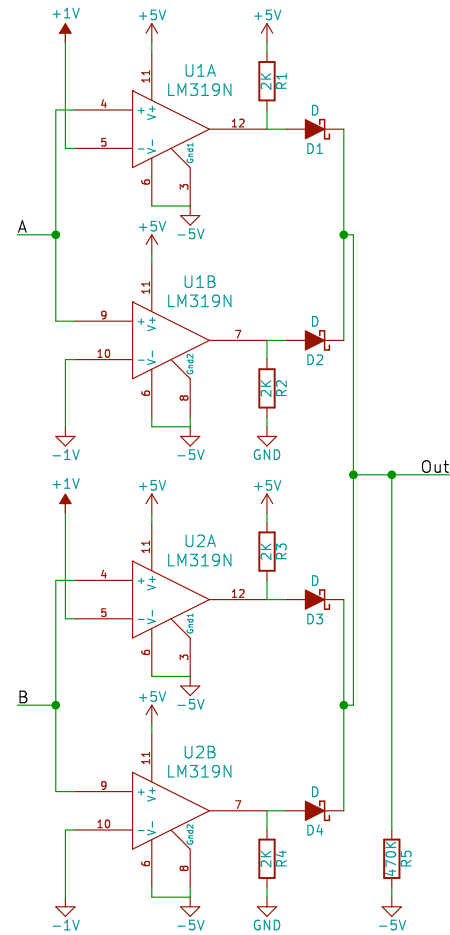
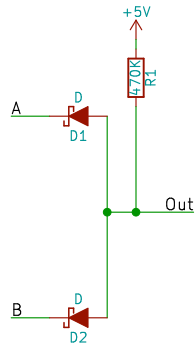
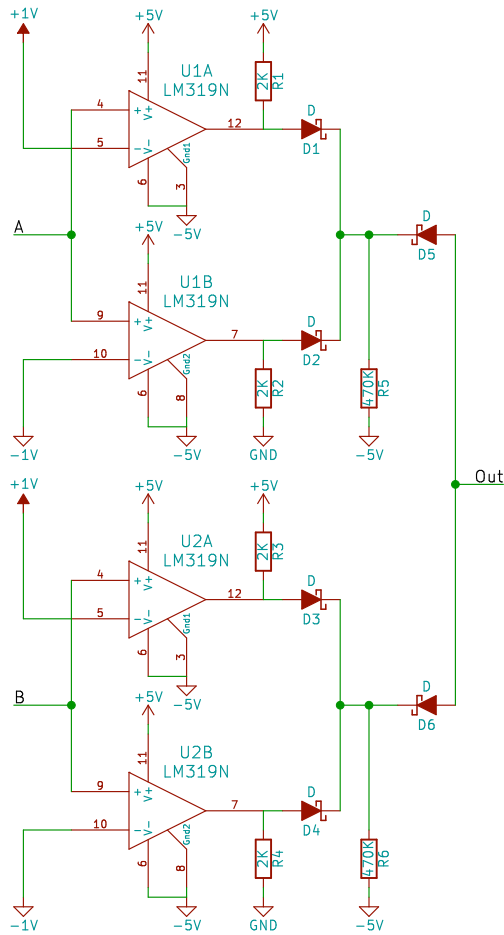


Min (AND)			
Out	B		
	-	0	+
A	-	-	-
	0	-	0
	+	-	0

Min (AND)			
Out	B		
	-	0	+
A	-	-	-
	0	-	0
	+	-	0

Max (OR)			
Out	B		
	-	0	+
A	-	-	0
	0	0	0
	+	+	+

Max (OR)			
Out	B		
	-	0	+
A	-	-	0
	0	0	0
	+	+	+



Implementation Uses LM319 Comparators

Sheet: /  
File: Min, Max.sch

**Title: Ternary Min And Max (Driven and Un-Driven)**

Size: USLetter Date: 2015-08-31

KiCad E.D.A. eeschema (2015-06-28 BZR 5838)-product

Rev: 3

Id: 1/1