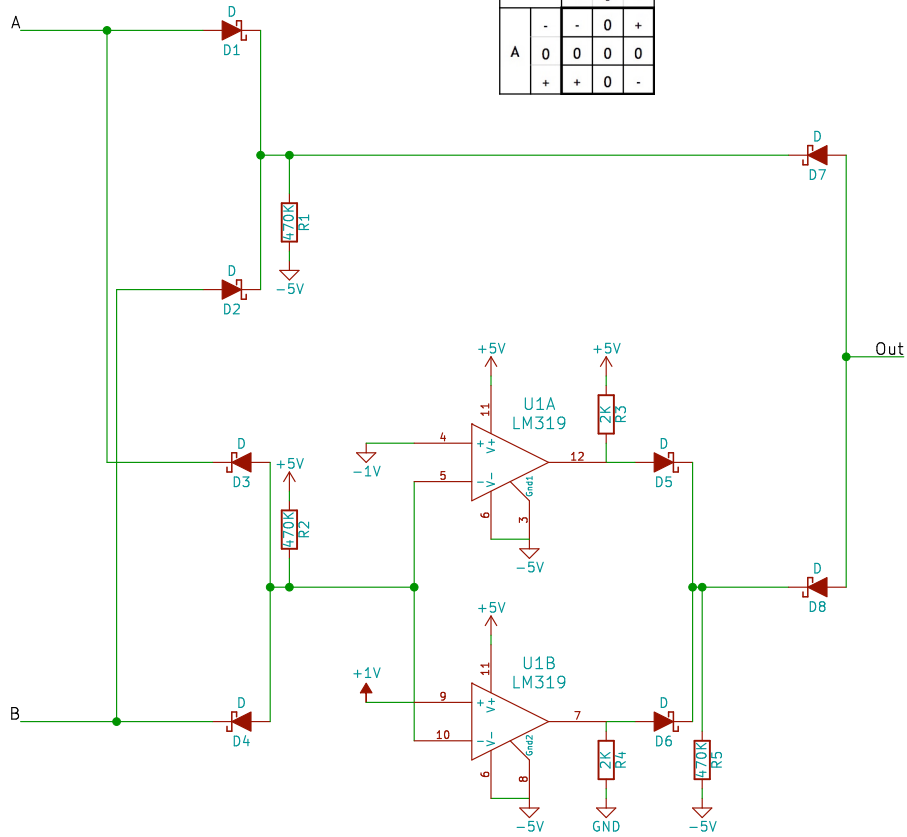


XOR			
		B	
C		-	+
A	-	-	0
	0	0	0
+	+	0	-



Implemented Using LM319's

Sheet: /
File: XOR.sch

Title: XOR

Size: USLetter Date: 2015-9-2
KiCad E.D.A. eschema (2015-06-28 BZR 5838)-product

Rev: 2
Id: 1/1