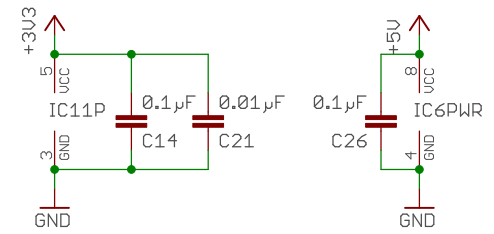
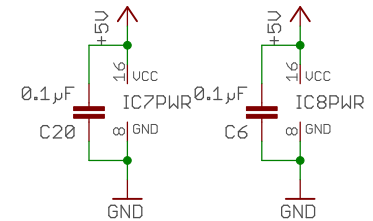
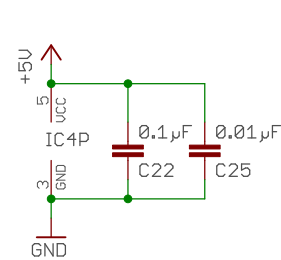
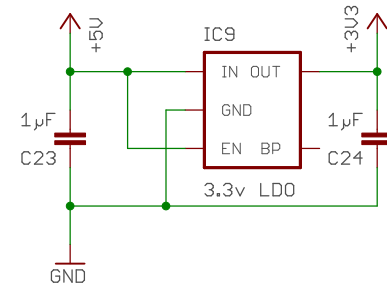
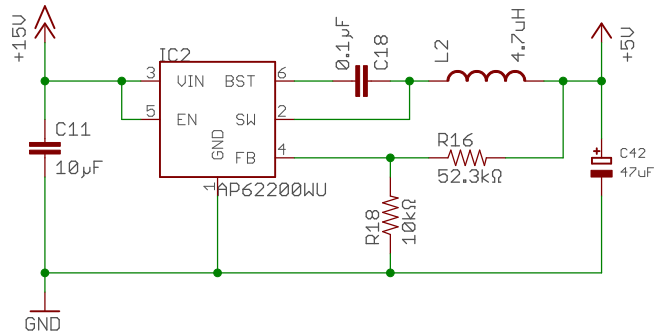
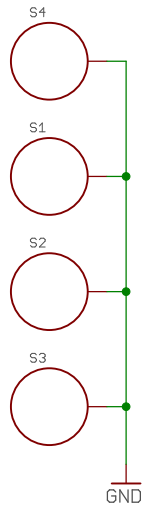


Digital & GPS

TITLE: GPS Disciplined FE5680 v5_0_6

Document Number: _____ REV: _____

Date: 2/14/22 4:16 PM Sheet: 1/4



Power

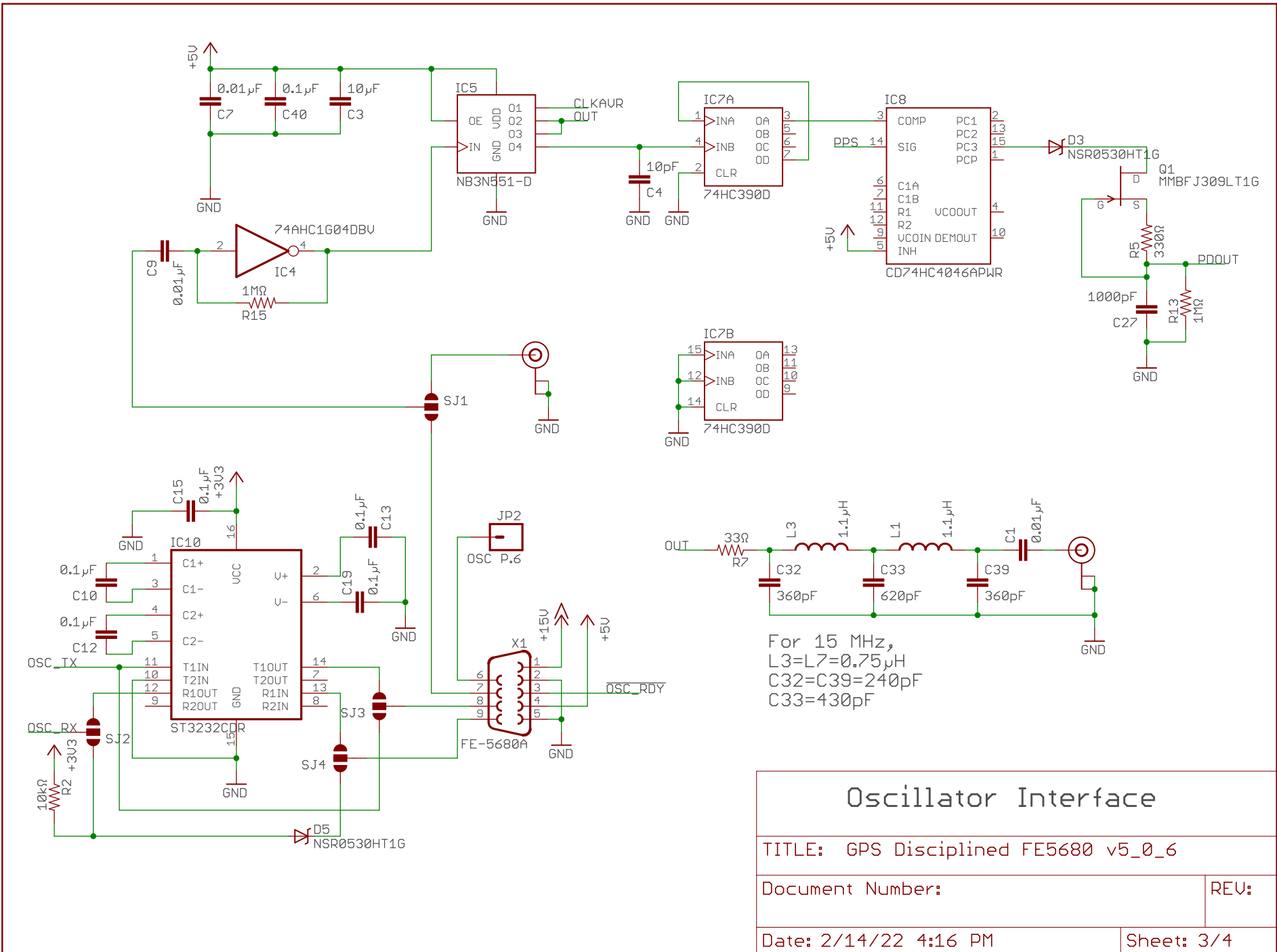
TITLE: GPS Disciplined FE5680 v5_0_6

Document Number:

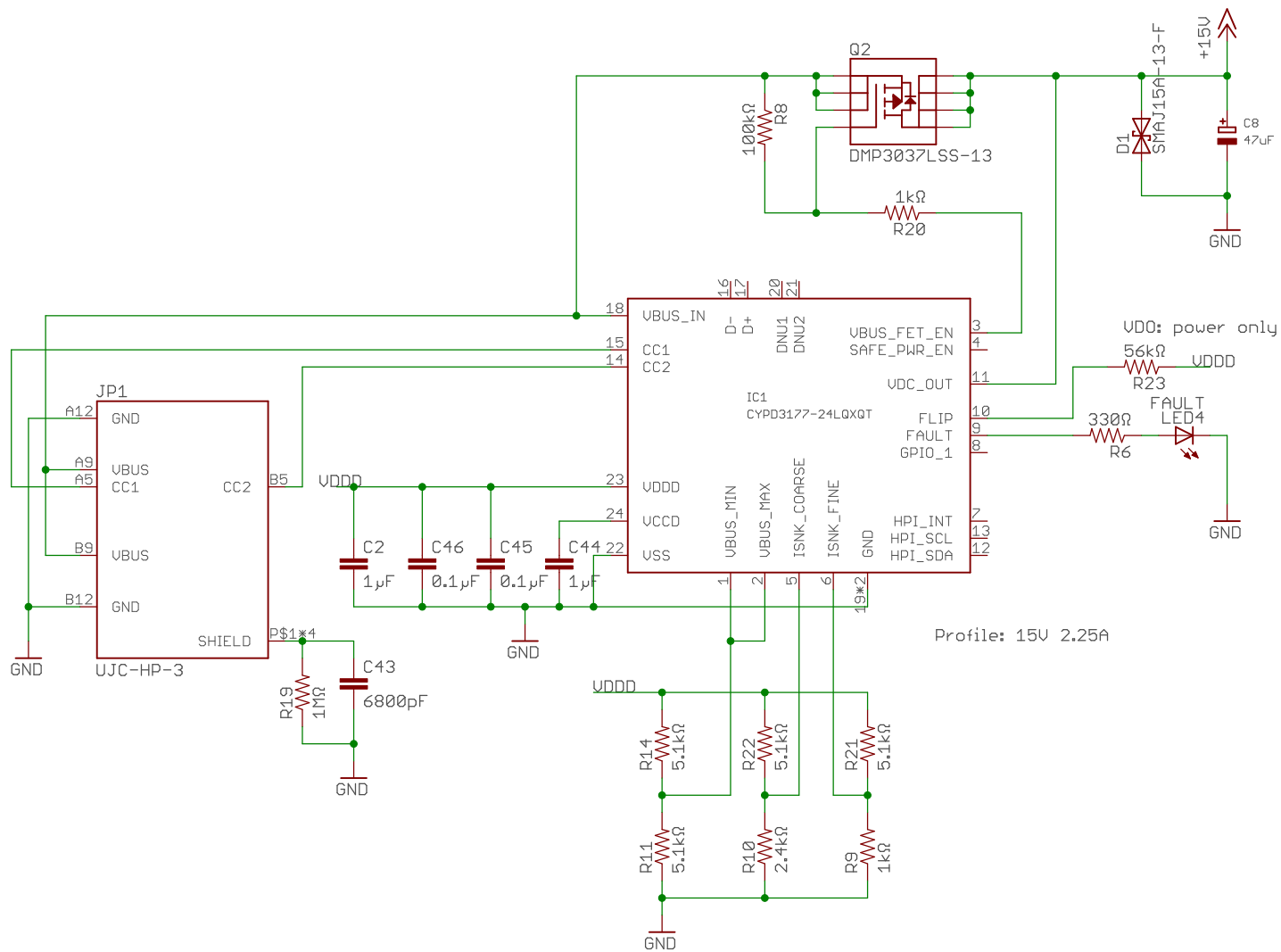
REV:

Date: 2/14/22 4:16 PM

Sheet: 2/4



<h2>Oscillator Interface</h2>	
TITLE: GPS Disciplined FE5680 v5_0_6	
Document Number:	REV:
Date: 2/14/22 4:16 PM	Sheet: 3/4



TITLE: GPS Disciplined FE5680 v5_0_6

Document Number:

REV:

Date: 2/14/22 4:16 PM

Sheet: 4/4