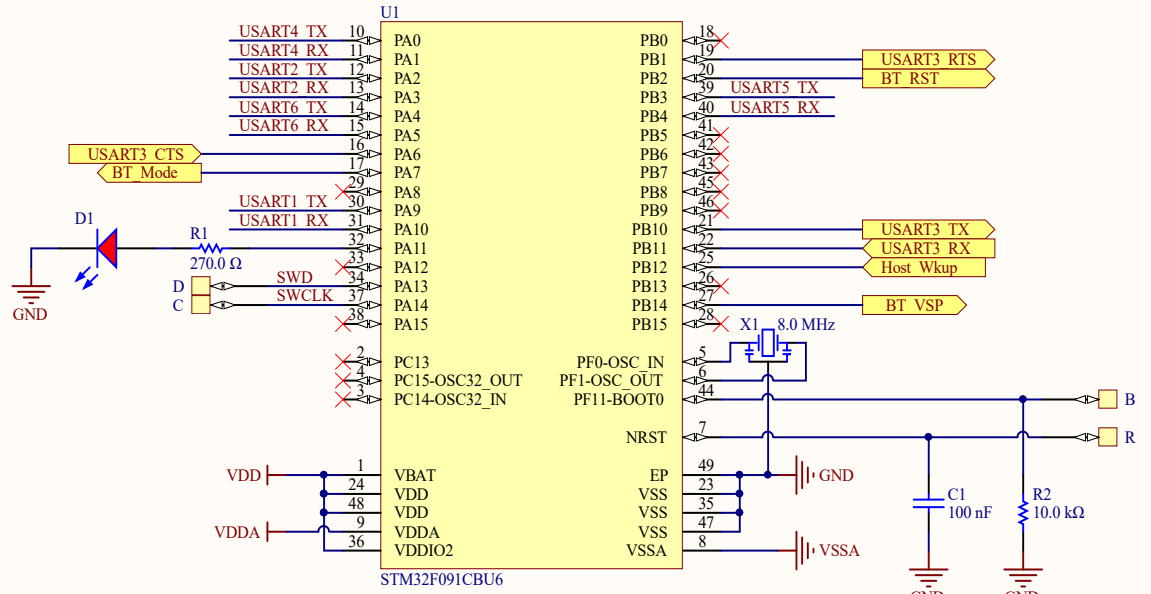
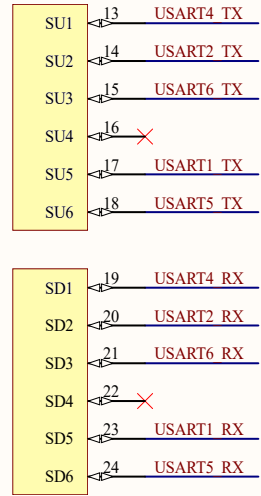
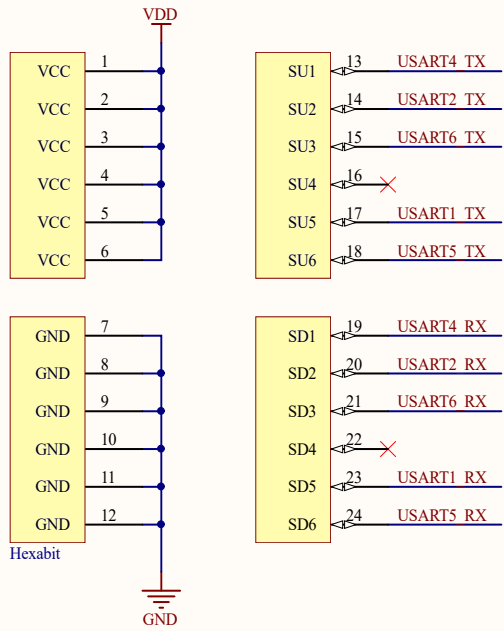
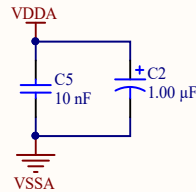


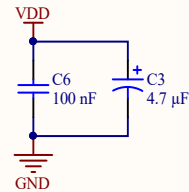
VDD = +3.3V



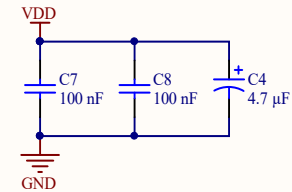
VDDA Coupling



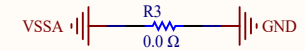
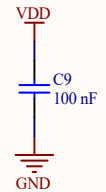
VDDIO2 Coupling



VDD Coupling



VBAT



Title MCU - H02R10			Module: <i>H02R10.PrjPcb</i>
Size: Letter	Author: Asaad	Revision: 0	Description: <i>BT900 BT/BLE Module</i>
Date: 4/30/2017	Time: 3:40:19 PM	Sheet 1 of 2	
File: H02R10 MCU.SchDoc			
www.hexabitz.com			

