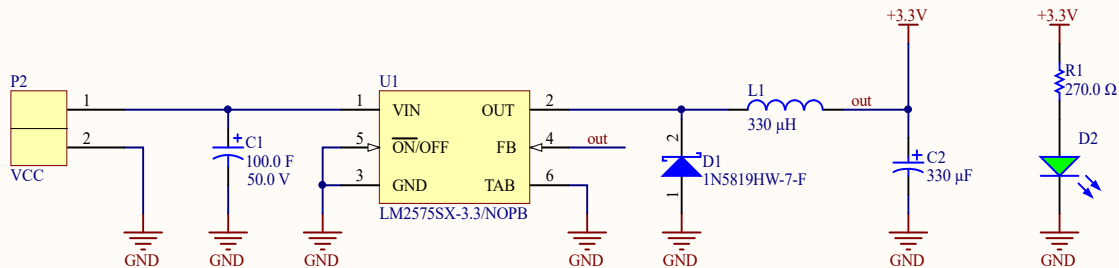
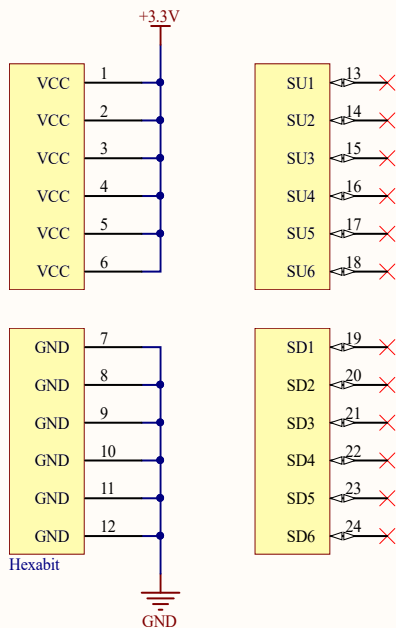



VCC = 5V .. 40V



Title H03R00			Module: <i>H03R00.PrjPcb</i>
Size: Letter	Author: Asaad	Revision: 0	Description: <i>+3.3V 1A DC-DC Converter</i>
Date: 5/25/2017	Time: 10:53:56 PM	Sheet 1 of 1	
File: H03R00.SchDoc			 www.hexabitz.com