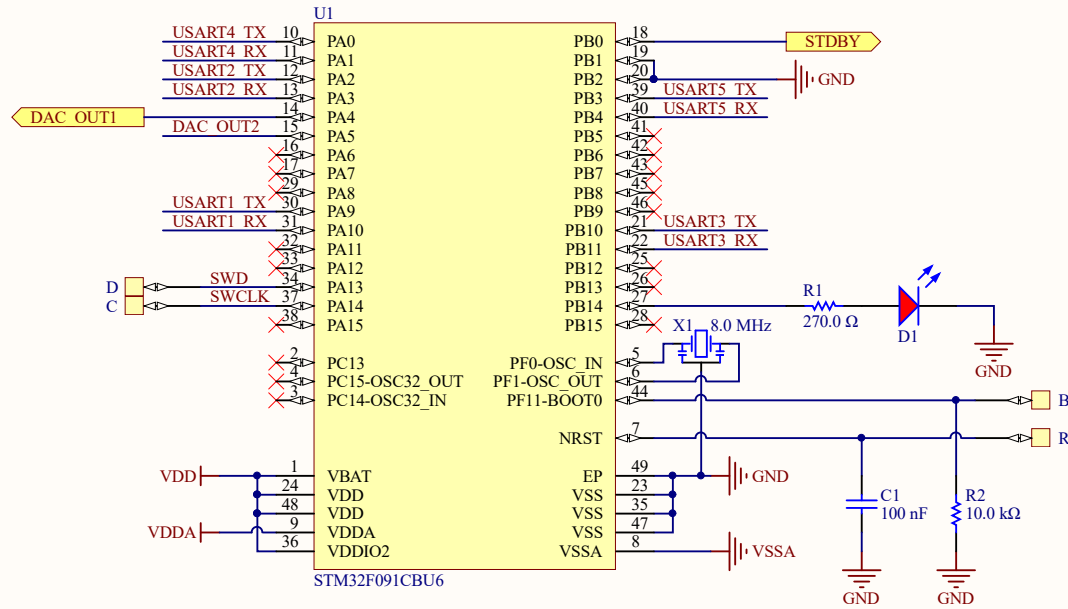
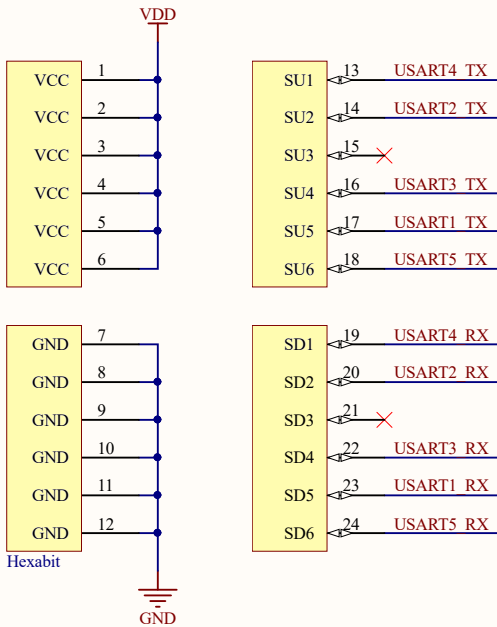
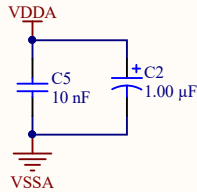


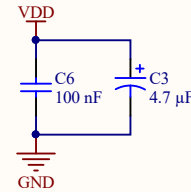
VDD = +3.3V



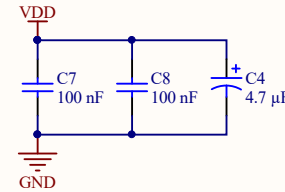
VDDA Coupling



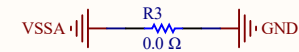
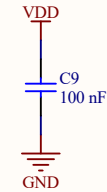
VDDIO2 Coupling



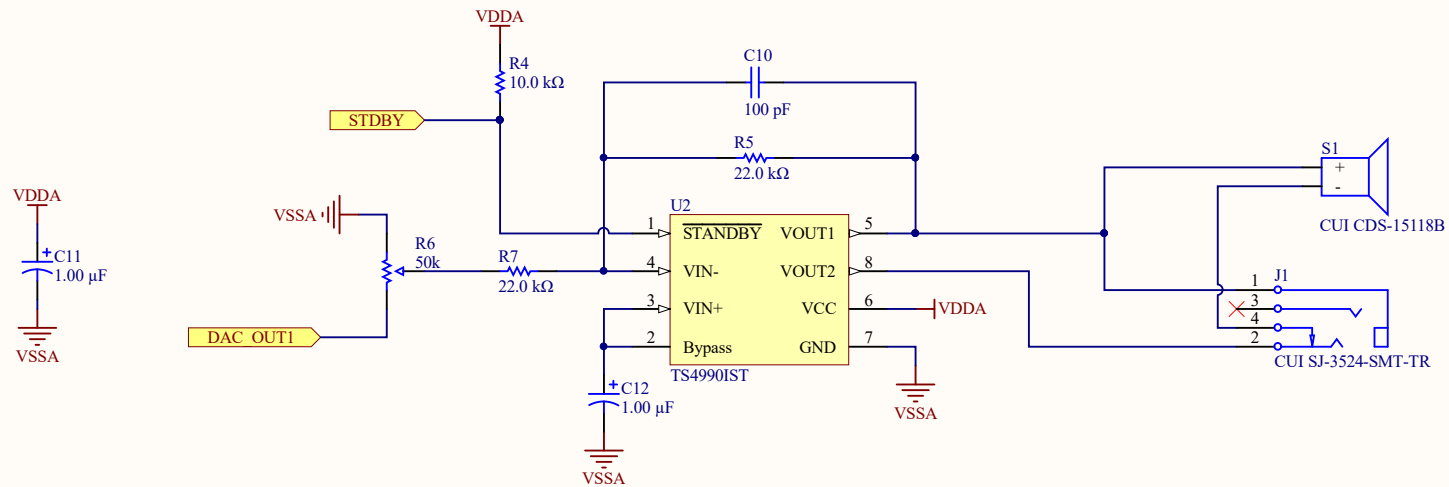
VDD Coupling



VBAT



Title MCU - H04R00			Module: H04R00.PrjPcb
Size: Letter	Author: Asaad	Revision: 0	Description: Sound Speaker
Date: 5/15/2017	Time: 3:50:25 PM	Sheet 1 of 2	
File: H04R00 MCU.SchDoc			www.hexabitz.com



Title Peripheral - H04R00			Module: <i>H04R00.PrjPcb</i>
Size: Letter	Author: Asaad	Revision: 0	Description: <i>Sound Speaker</i>
Date: <i>5/15/2017</i>	Time: <i>3:50:25 PM</i>	Sheet <i>2</i> of <i>2</i>	
File: <i>H04R00_Peripheral.SchDoc</i>			www.hexabitz.com

