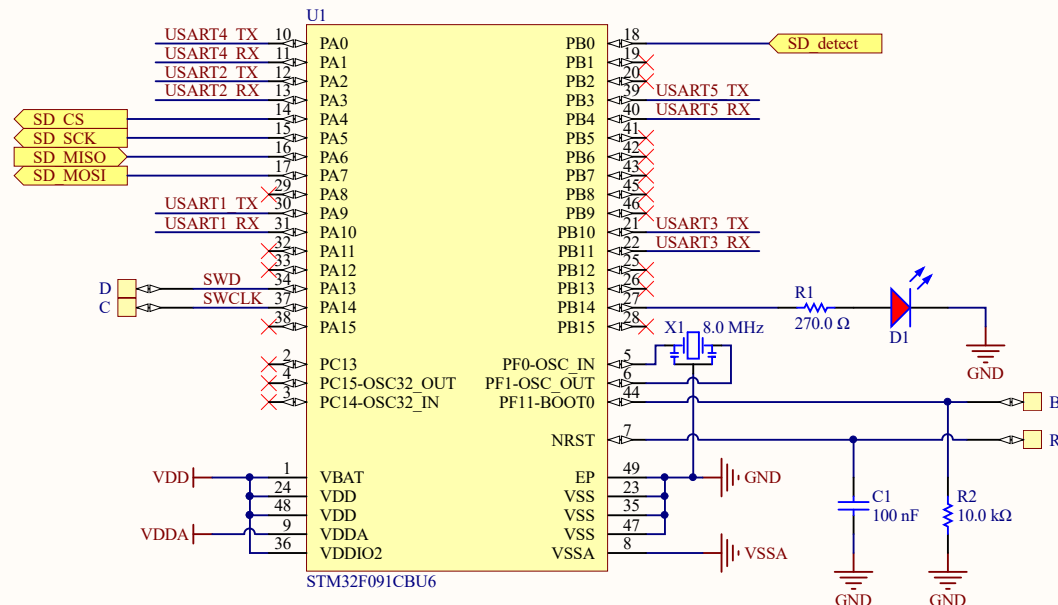
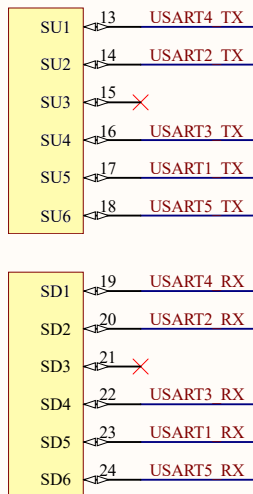
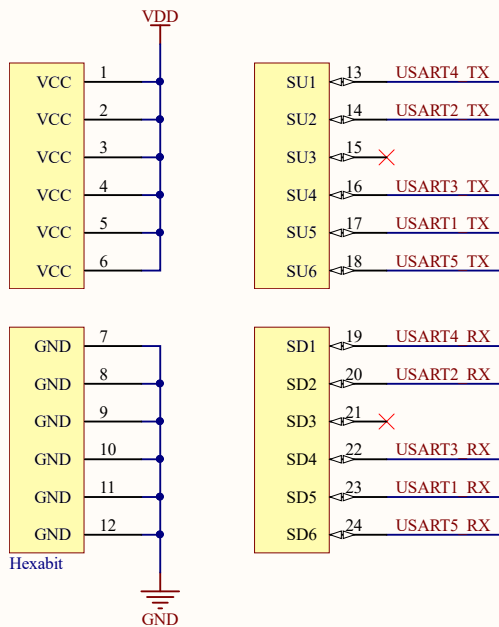
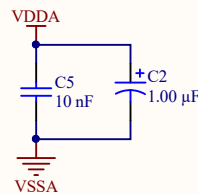


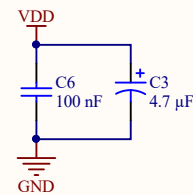
VDD = +3.3V



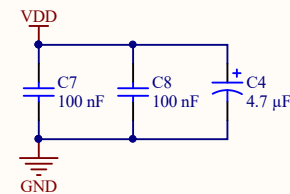
VDDA Coupling



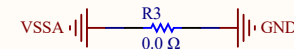
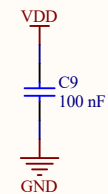
VDDIO2 Coupling



VDD Coupling



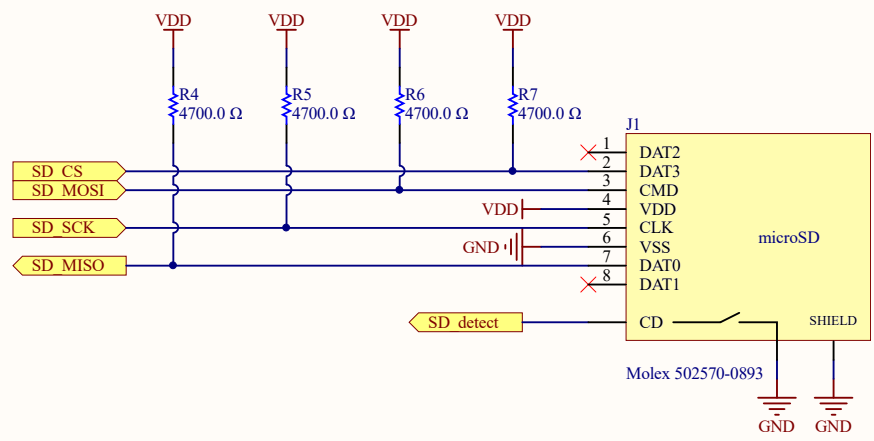
VBAT




Title <b>MCU - H05R00</b>			Module: H05R00.PrjPcb
Size: Letter	Author: Asaad	Revision: 0	Description: MicroSD Card Reader
Date: 5/3/2017	Time: 8:18:20 PM	Sheet 1 of 2	
File: H05R00 MCU.SchDoc			



www.hexabit.com



Title <b>Peripheral - H05R00</b>			Module: <i>H05R00.PrjPcb</i>
Size: Letter	Author: Asaad	Revision: 0	Description: <i>MicroSD Card Reader</i>
Date: 5/3/2017	Time: 8:18:20 PM	Sheet 2 of 2	
File: H05R00 Peripheral.SchDoc			
			 <a href="http://www.hexabitz.com">www.hexabitz.com</a>