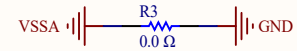
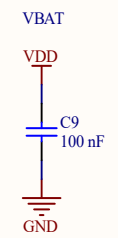
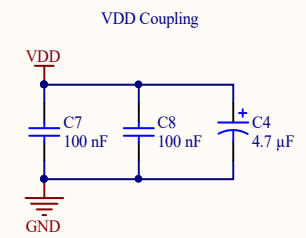
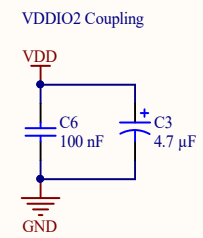
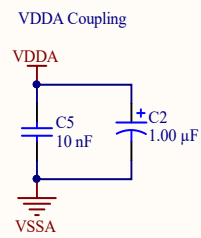
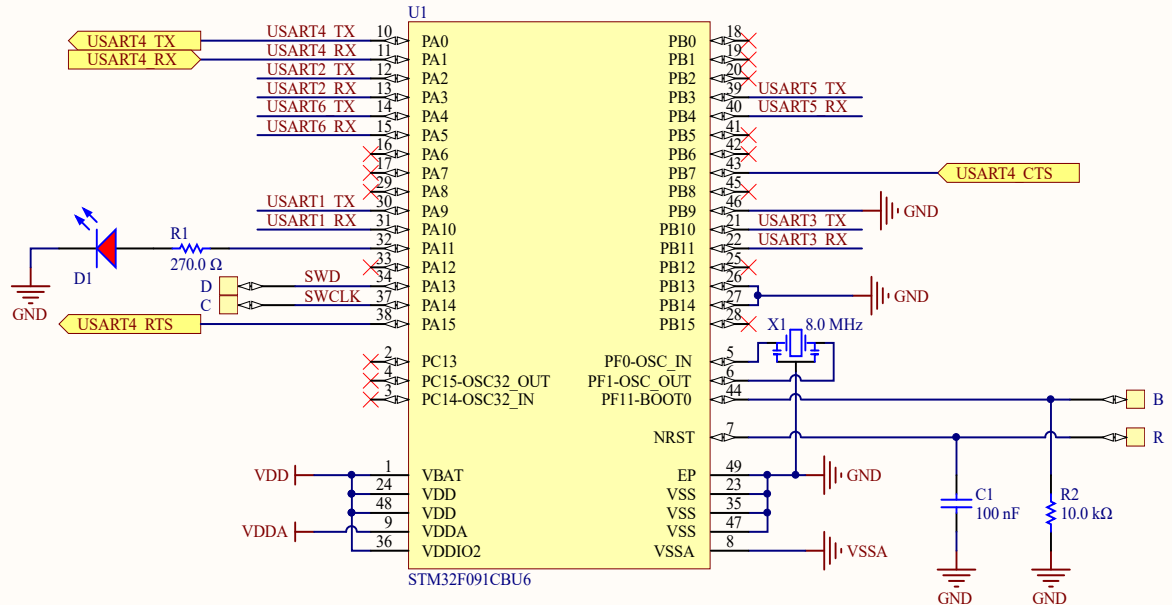
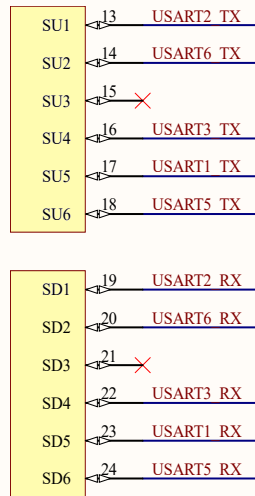
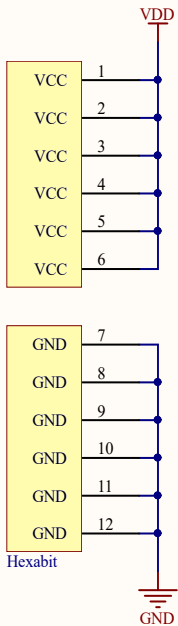
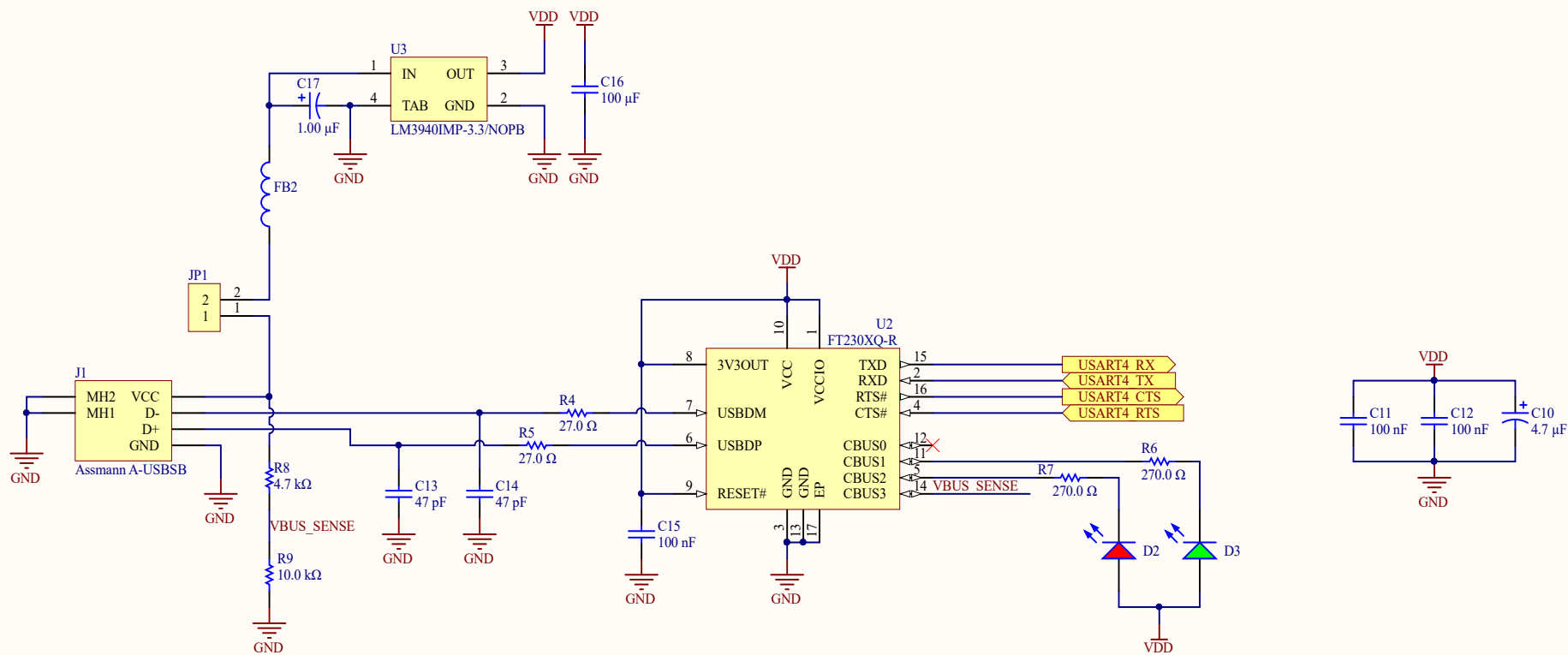



VDD = +3.3V



Title H11R10 - MCU			Module: <i>H11R10.PrjPcb</i>
Size: Letter	Author: Asaad	Revision: 0	Description: <i>USB-B 2.0 to UART</i>
Date: 6/15/2017	Time: 11:21:50 PM	Sheet 1 of 2	
File: H11R10 MCU.SchDoc			
www.hexabitz.com			



Title H11R10 - Peripheral			Module: <i>H11R10.PrjPcb</i>
Size: Letter	Author: Asaad	Revision: 0	Description: <i>USB-B 2.0 to UART</i>
Date: 6/15/2017	Time: 11:21:50 PM	Sheet 2 of 2	
File: H11R10_Peripheral.SchDoc			 www.hexabitz.com