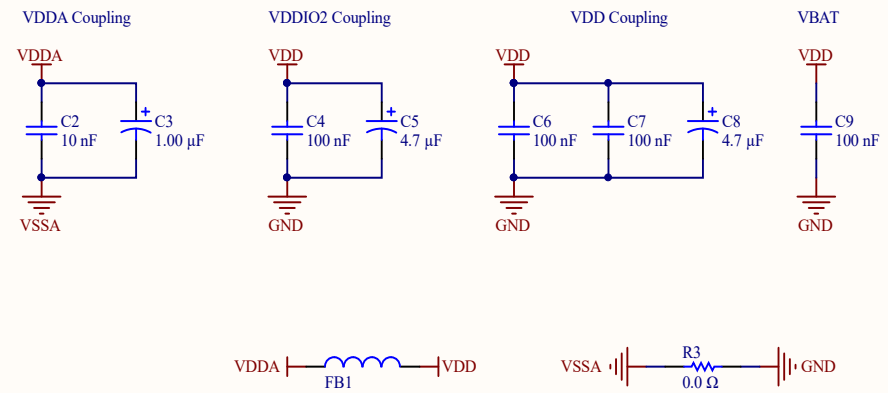
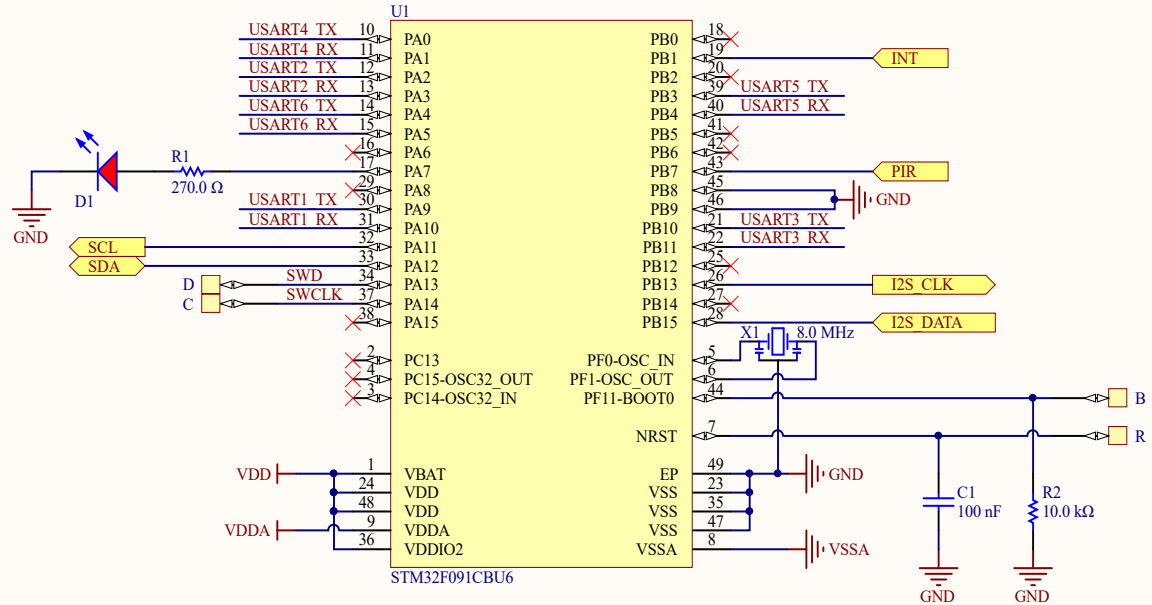
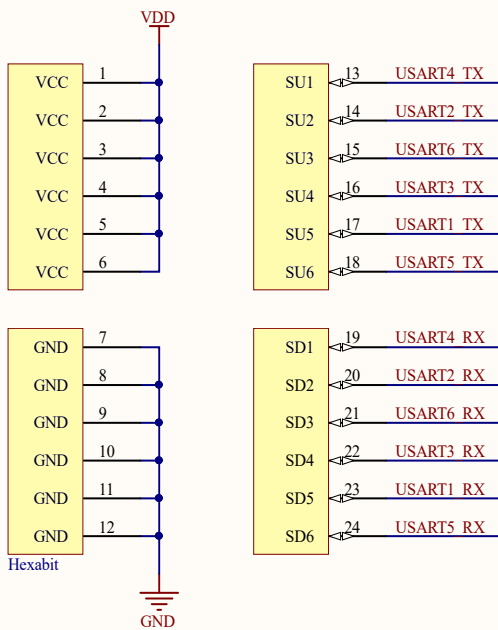
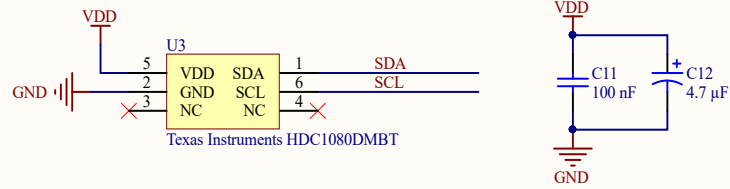


VDD = +3.3V

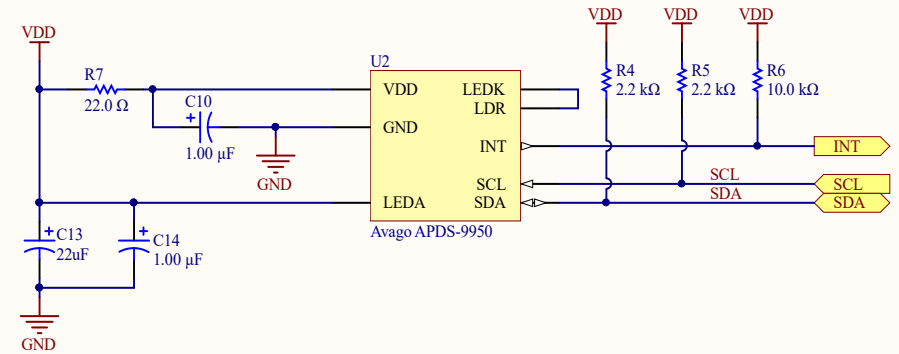


Title <b>H12R00 - MCU</b>			Module: <i>H12R00.PrjPcb</i>
Size: Letter	Author: Asaad	Revision: 0	Description: <i>Room Monitoring Station</i>
Date: 5/7/2017	Time: 3:53:01 PM	Sheet 1 of 2	
File: H12R00 MCU.SchDoc			
			 www.hexabitz.com

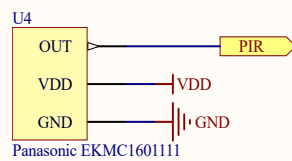
VDD = +3.3V



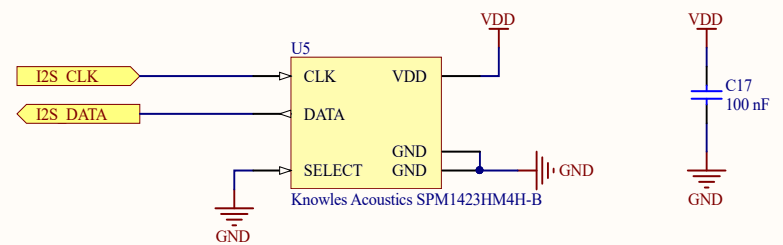
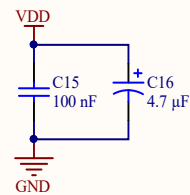
Relative Humidity and Temperature Sensor




Proximity, RGB and Ambient Light Sensor



PIR Motion Sensor



MEMS Microphone

Title <b>H12R00 - Peripherals</b>			Module: <i>H12R00.PrjPcb</i>
Size: Letter	Author: Asaad	Revision: 0	Description: <i>Room Monitoring Station</i>
Date: 5/7/2017	Time: 3:53:01 PM	Sheet 2 of 2	
File: H12R00 Peripherals.SchDoc			 <a href="http://www.hexabitZ.com">www.hexabitZ.com</a>