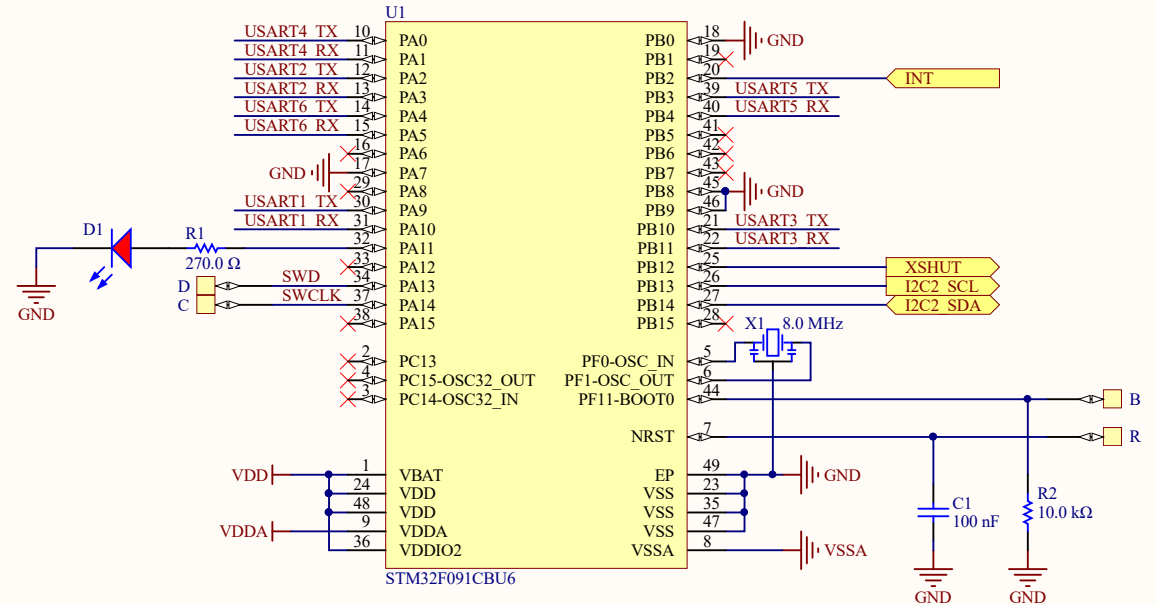
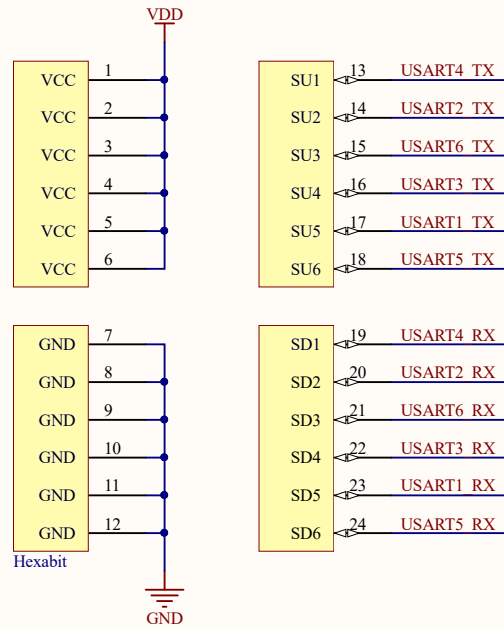
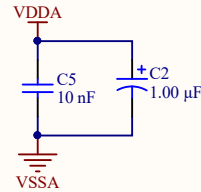


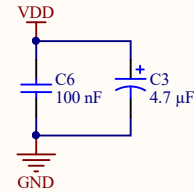
VDD = +3.3V



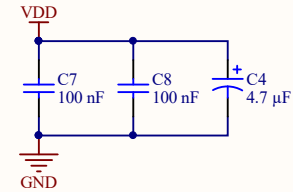
VDDA Coupling



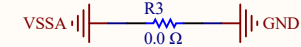
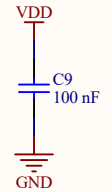
VDDIO2 Coupling




VDD Coupling

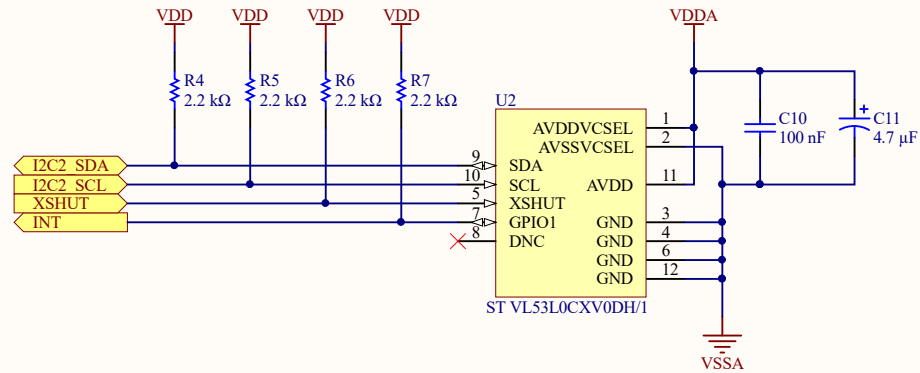


VBAT



Title MCU - H23R00			Module: <i>H23R00.PrjPcb</i>
Size: Letter	Author: Asaad	Revision: 0	Description: <i>Time-of-Flight Sensor</i>
Date: 10/17/2017	Time: 9:57:29 AM	Sheet 1 of 2	
File: H23R00 MCU.SchDoc			
			 www.hexabitz.com

VDD = +3.3V



Title Peripheral - H23R00			Module: <i>H23R00.PrjPcb</i>
Size: Letter	Author: Asaad	Revision: 0	Description: <i>Time-of-Flight Sensor</i>
Date: 10/17/2017	Time: 9:57:30 AM	Sheet 2 of 2	
File: H23R00_Peripheral.SchDoc			www.hexabitz.com

