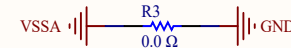
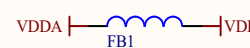
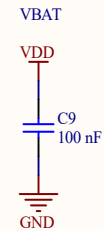
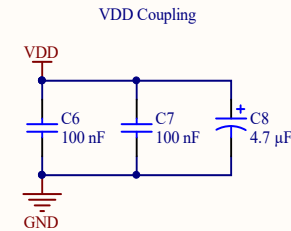
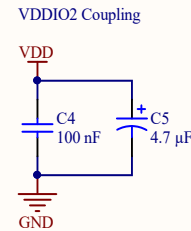
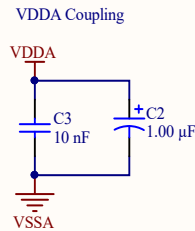
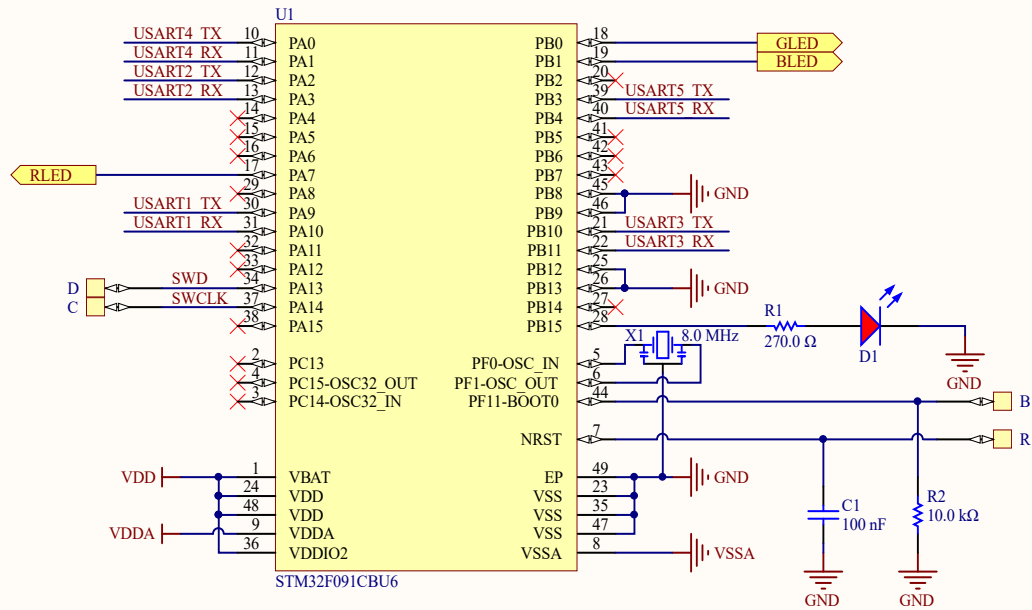
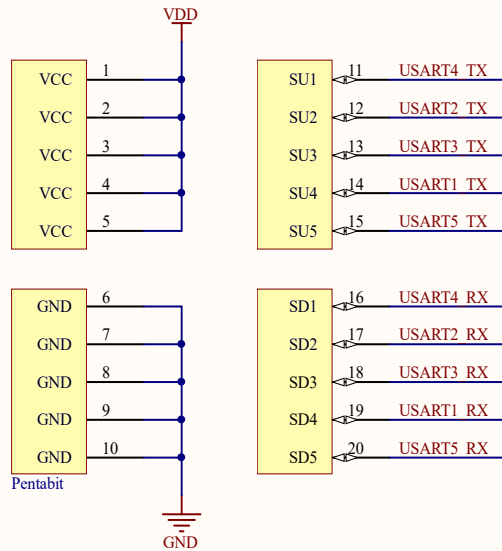


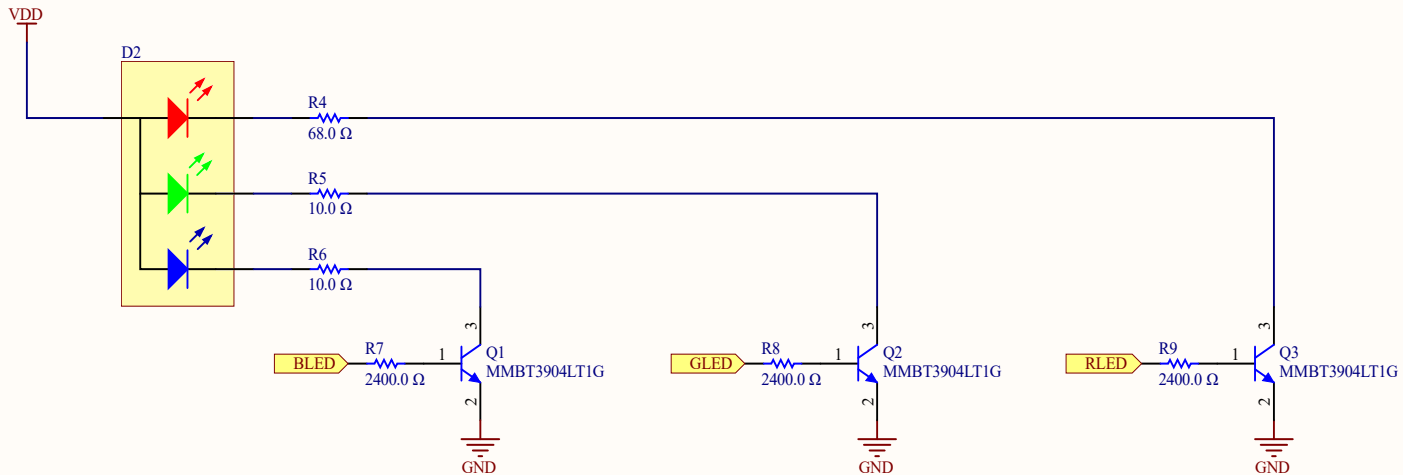
VDD = +3.3V



Title MCU - P01R00			Module: <i>P01R00.PrjPcb</i>
Size: Letter	Author: Asaad	Revision: 0	Description: <i>RGB LED</i>
Date: 6/4/2017	Time: 8:43:35 PM	Sheet 1 of 2	
File: P01R00 MCU.SchDoc			www.hexabitz.com



VDD = +3.3V



Title Peripheral - P01R00			Module: <i>P01R00.PrjPcb</i>
Size: Letter	Author: Asaad	Revision: 0	Description: <i>RGB LED</i>
Date: 6/4/2017	Time: 8:43:35 PM	Sheet 2 of 2	
File: P01R00 Peripheral.SchDoc			www.hexabitz.com

