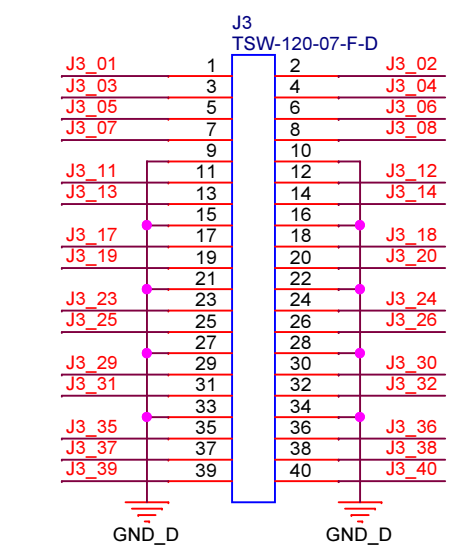
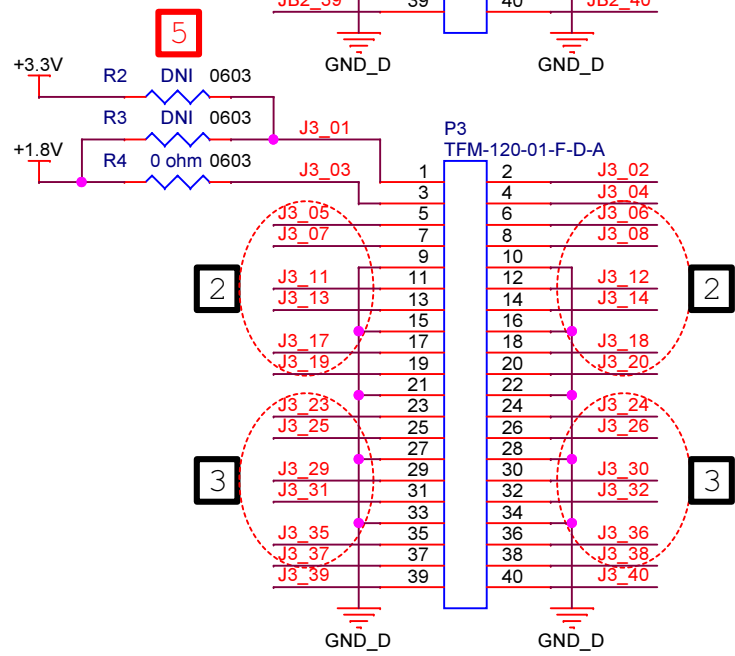
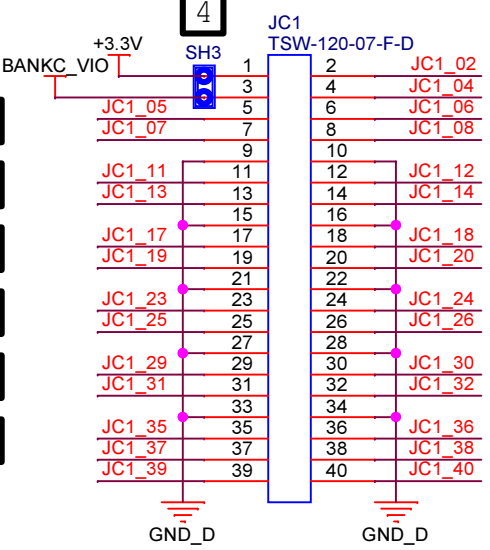
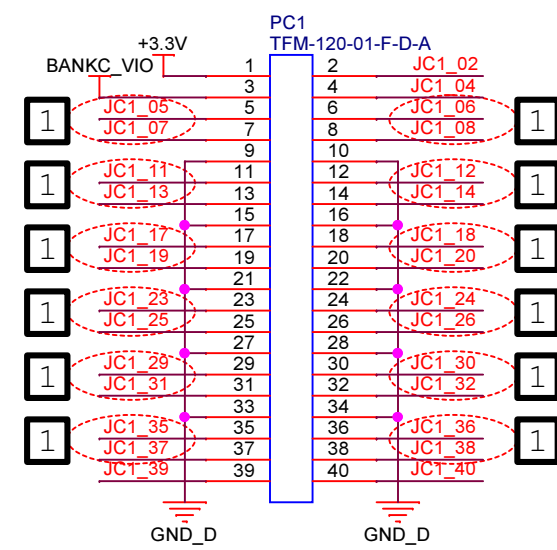
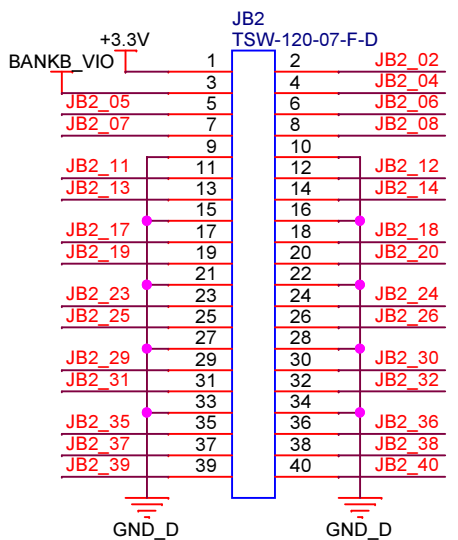
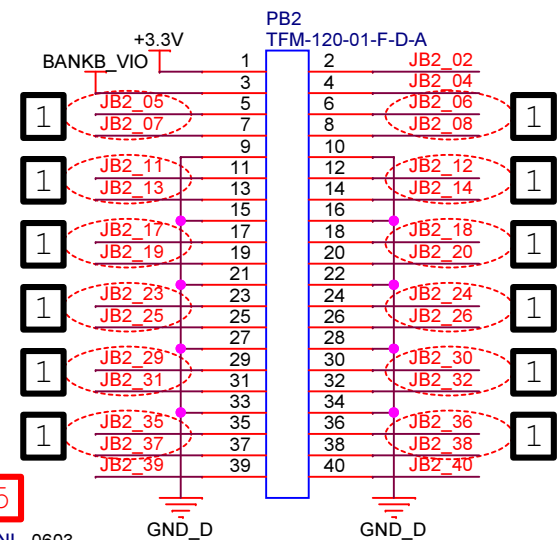
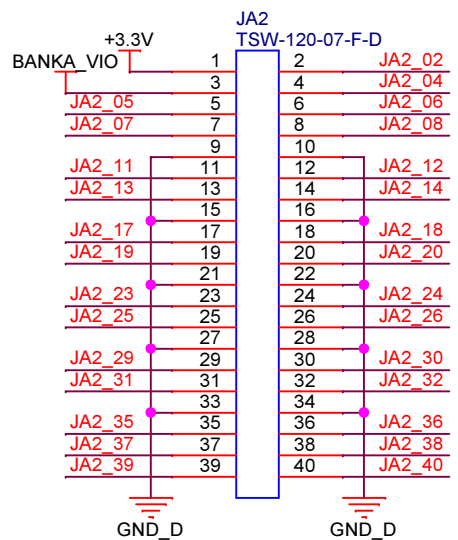
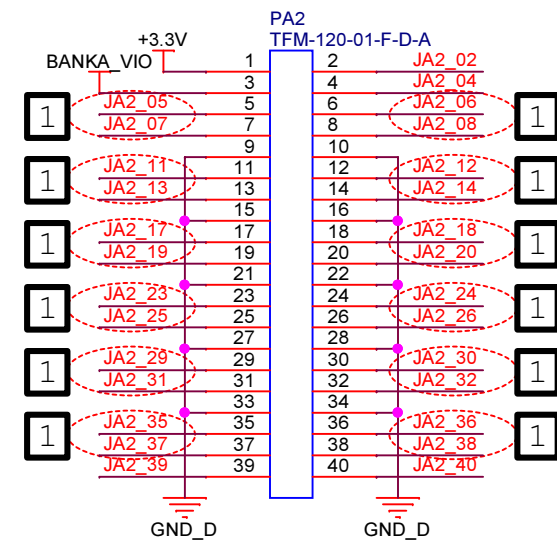
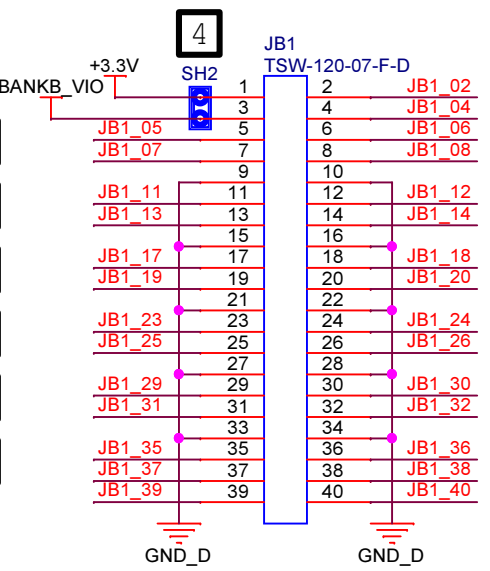
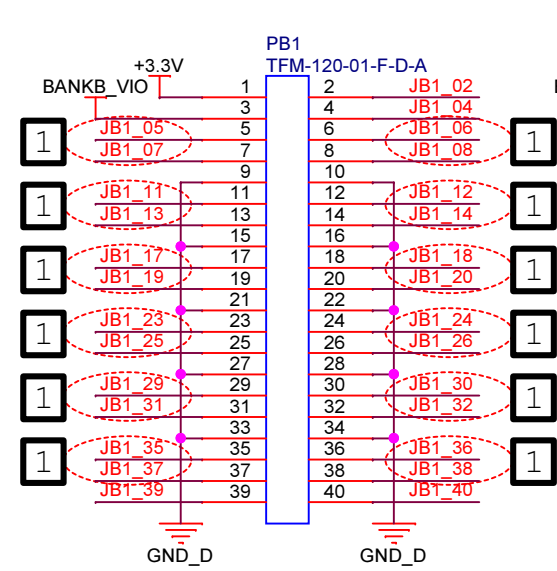
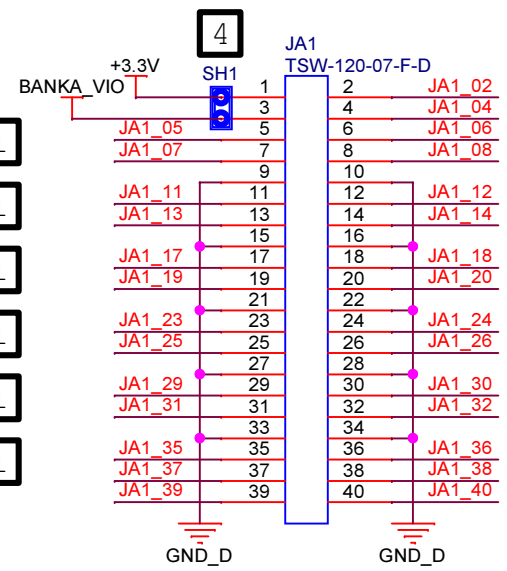
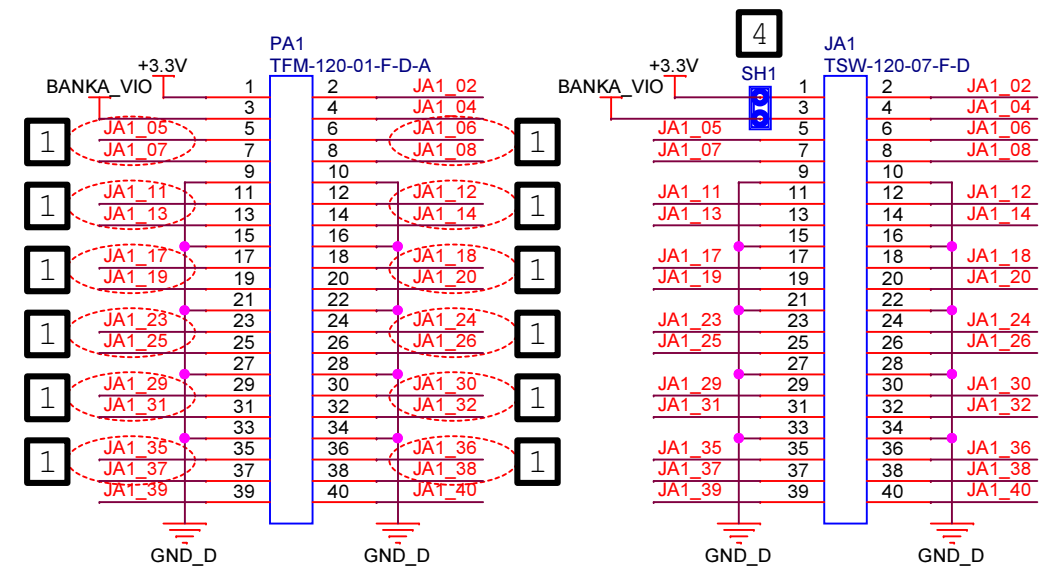


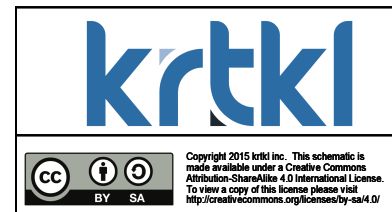
Rev.	Description	CO Number	Date	Approved By	Checked By
4.0	breakyBreaky alpha design	00006	03/30/2016	BEH	JJW



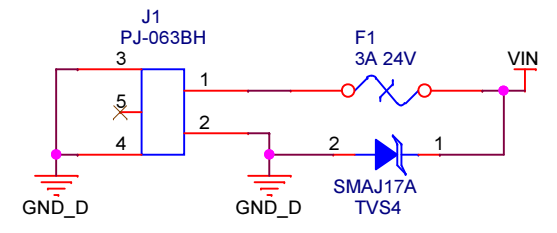
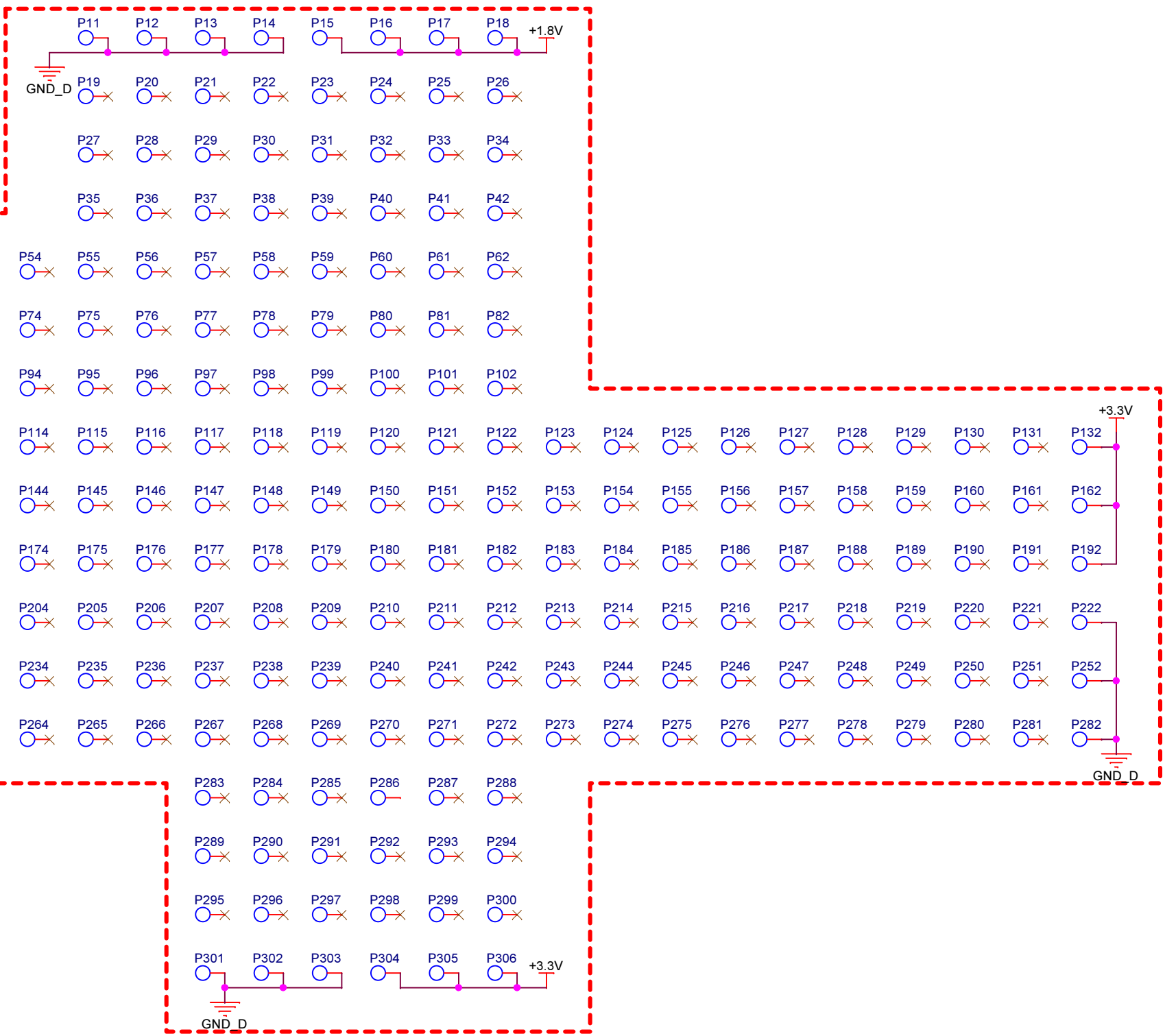
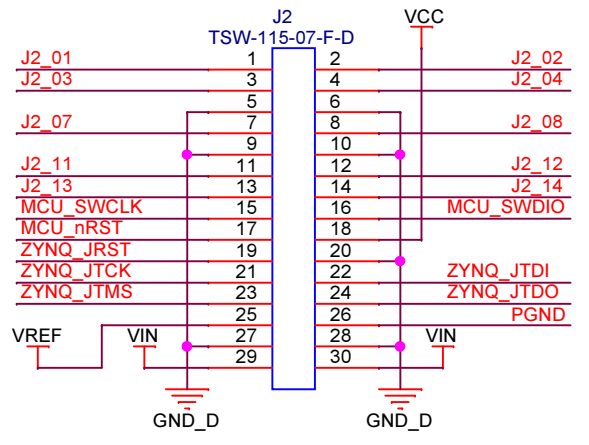
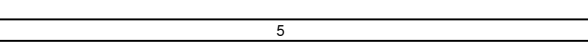
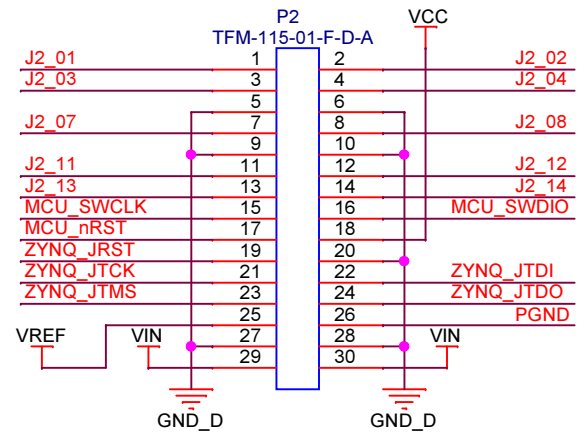
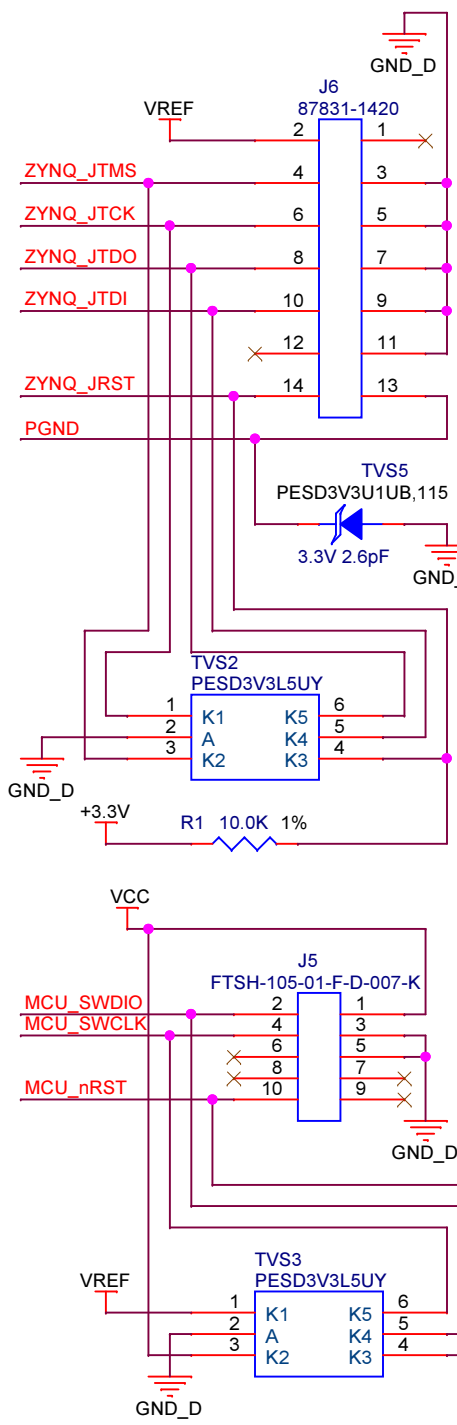
**5** Warning: snickerdoodle rev 3 and earlier have +1.8V on J3 pin 1 and an unconnected J3 pin 3. Please confirm connections for J3 pin 1 and pin 3 prior to connection of external hardware. For use with snickerdoodle rev 3 and earlier, install a 0 ohm 0603 resistor at R3. For use with snickerdoodle rev 4 and later, a 0 ohm 0603 resistor can be installed at R2 if needed.

- NOTES:
- 1** Each grouped pair of differential signals to be length matched to within 10mils with 100ohm characteristic impedance.
  - 2** The 12bit bus in group 2 to be length matched to within 50mils with 50ohm single-ended characteristic impedance.

- 3** The 12bit bus in group 3 to be length matched to within 50mils with 50ohm single-ended characteristic impedance.
- 4** Install 2 position jumper across pins 1 and 3 of connectors JA1, JB1 and JC1.



<b>krtkl inc.</b> 350 Townsend Street Suite 301A San Francisco, CA 94107 +1 415 857 4857		TITLE <b>breakyBreaky</b>	
PATH /		DESCRIPTION <b>Schematic Page Description</b>	
NAME B. Hammond	DATE 03/30/2016	SIZE <b>B</b>	DRAWING NO. 15100501-01
CHECKED BY J. Weatherbee	DATE 03/30/2016	REV <b>4.0</b>	SHEET 1 of 2



krtki inc.  
350 Townsend Street  
Suite 301A  
San Francisco, CA 94107  
+1 415 857 4857

TITLE: breakyBreaky  
PATH: /  
DESCRIPTION: Schematic Page Description

NAME	DATE	SIZE	DRAWING NO.	REV
DRAWN BY: B. Hammond	03/30/2016	<b>B</b>	<b>15100501-01</b>	<b>4.0</b>
CHECKED BY: J. Weatherbee	03/30/2016			
APPROVED BY: J. Weatherbee	03/30/2016			
		SHEET 2 of 2		

Copyright 2015 krtki inc. This schematic is made available under a Creative Commons Attribution-ShareAlike 4.0 International License. To view a copy of this license please visit: <http://creativecommons.org/licenses/by-sa/4.0/>