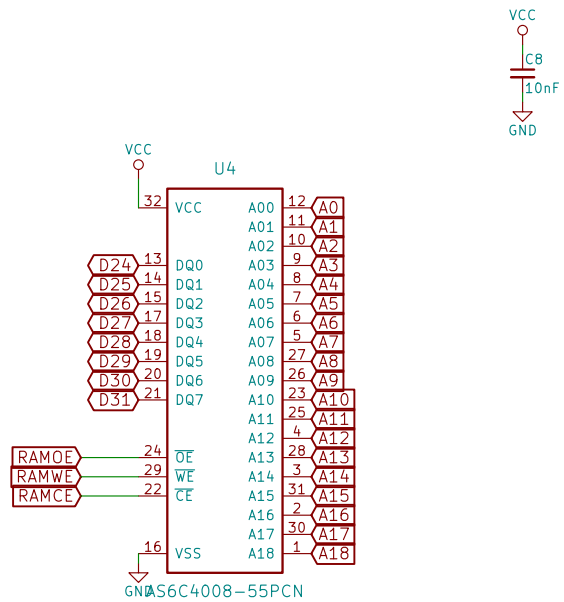


(c)2016 Tobias Rathje	
Sheet: /	
File: T030.sch	
Title: T030	
Size: A4	Date: 2016-01-14
KiCad E.D.A. kicad 4.0.1-stable	Rev: 1.1
	Id: 1/6



(c)2016 Tobias Rathje

Sheet: /RAM/
File: TI030_RAM.sch

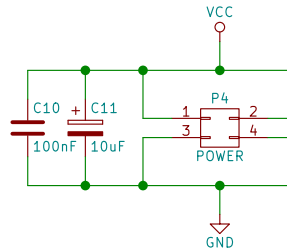
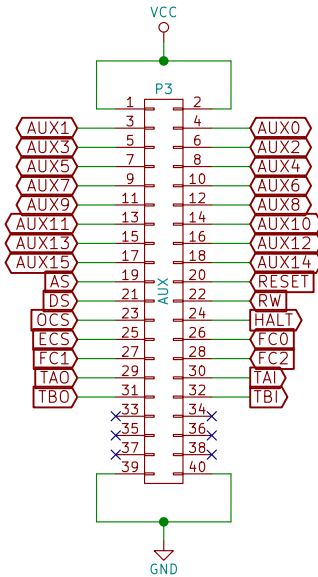
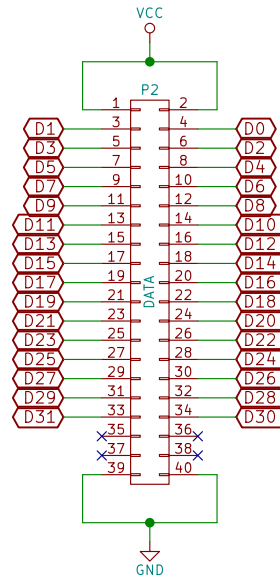
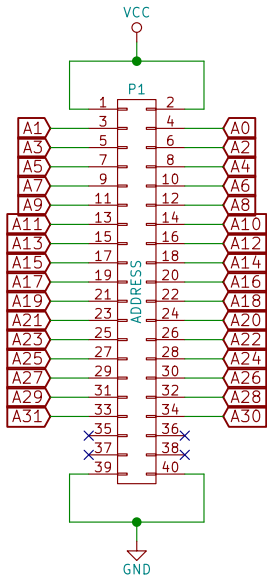
Title: T030 - RAM

Size: A4
KiCad E.D.A. kicad 4.0.1-stable

Date:

Rev: 1.1

Id: 2/6



(c)2016 Tobias Rathje

Sheet: /BUSCON/

File: T030_BUSCON.sch

Title: T030 – Bus connection

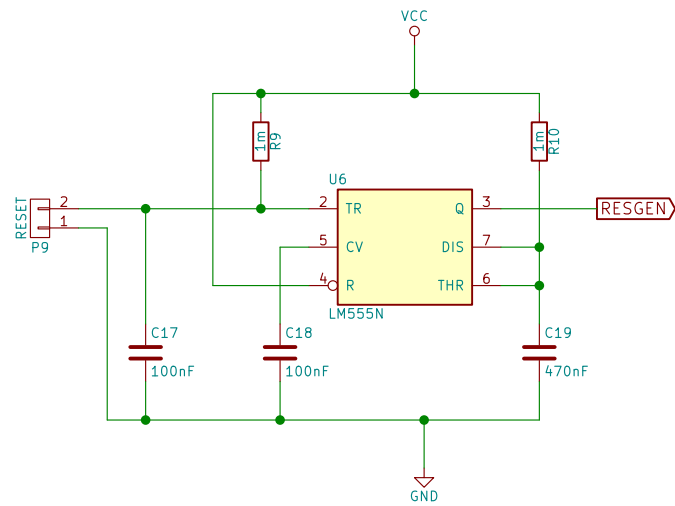
Size: A4

Date:

Rev: 1.1

KiCad E.D.A. kicad 4.0.1–stable

Id: 3/6



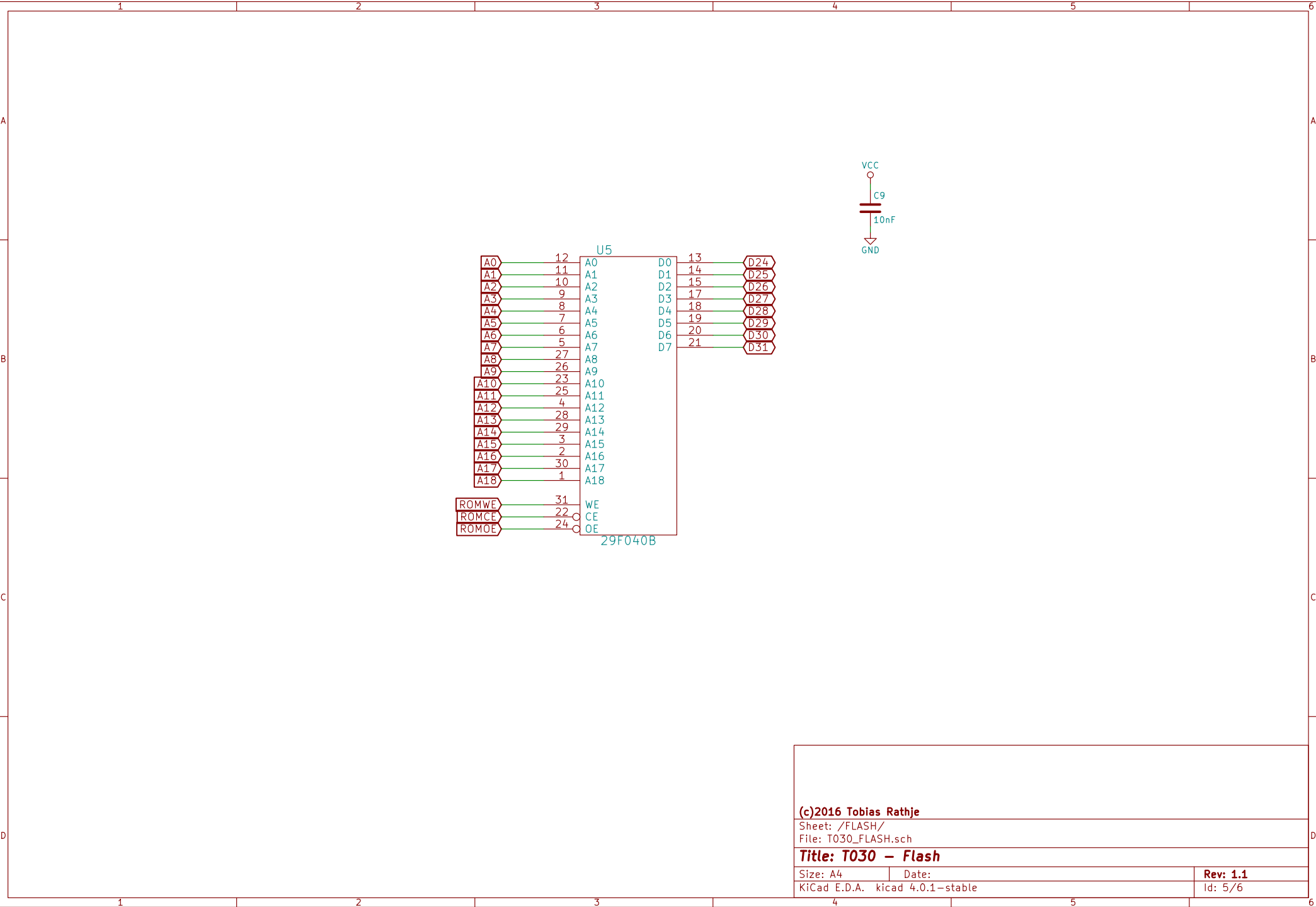
(c)2016 Tobias Rathje

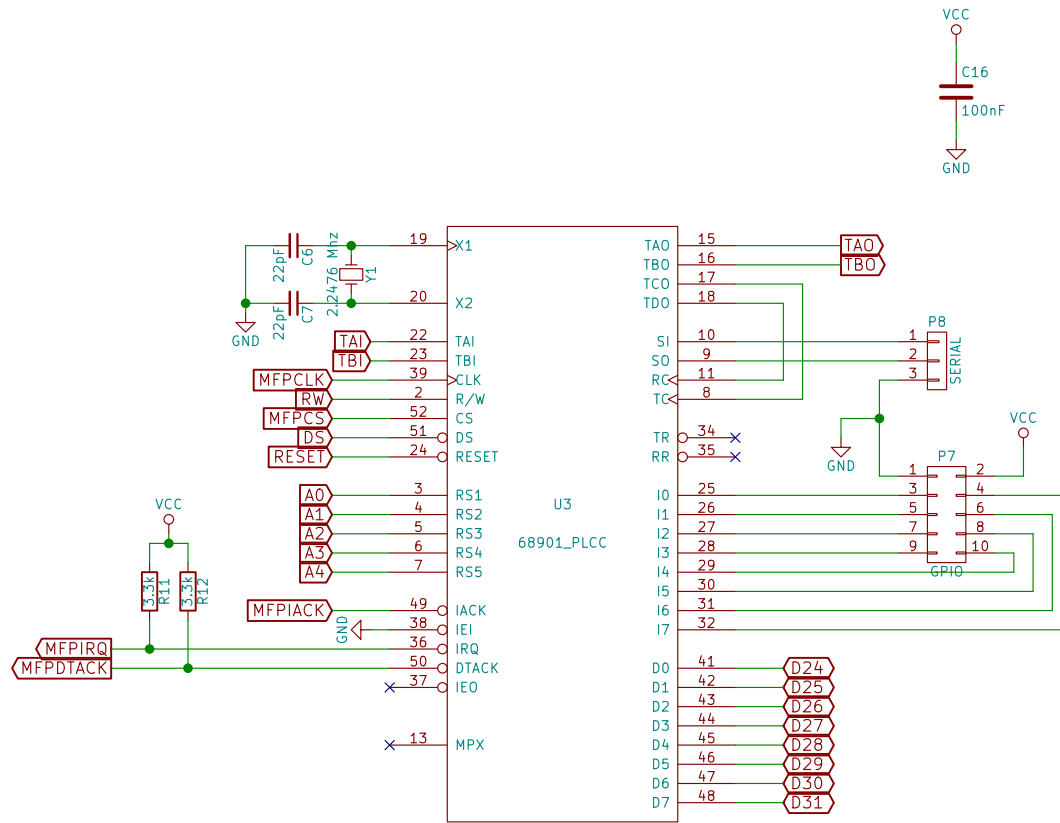
Sheet: /RESET/
File: T030_RESET.sch

Title: T1030 Reset

Size: A4
KiCad E.D.A. kicad 4.0.1-stable

Date:
Rev: 1.1
Id: 4/6





(c)2016 Tobias Rathje

Sheet: /MFP/
File: T030_MFP.sch

Title: T030 - MFP

Size: A4 Date:
KiCad E.D.A. kicad 4.0.1-stable

Rev: 1.1
Id: 6/6