

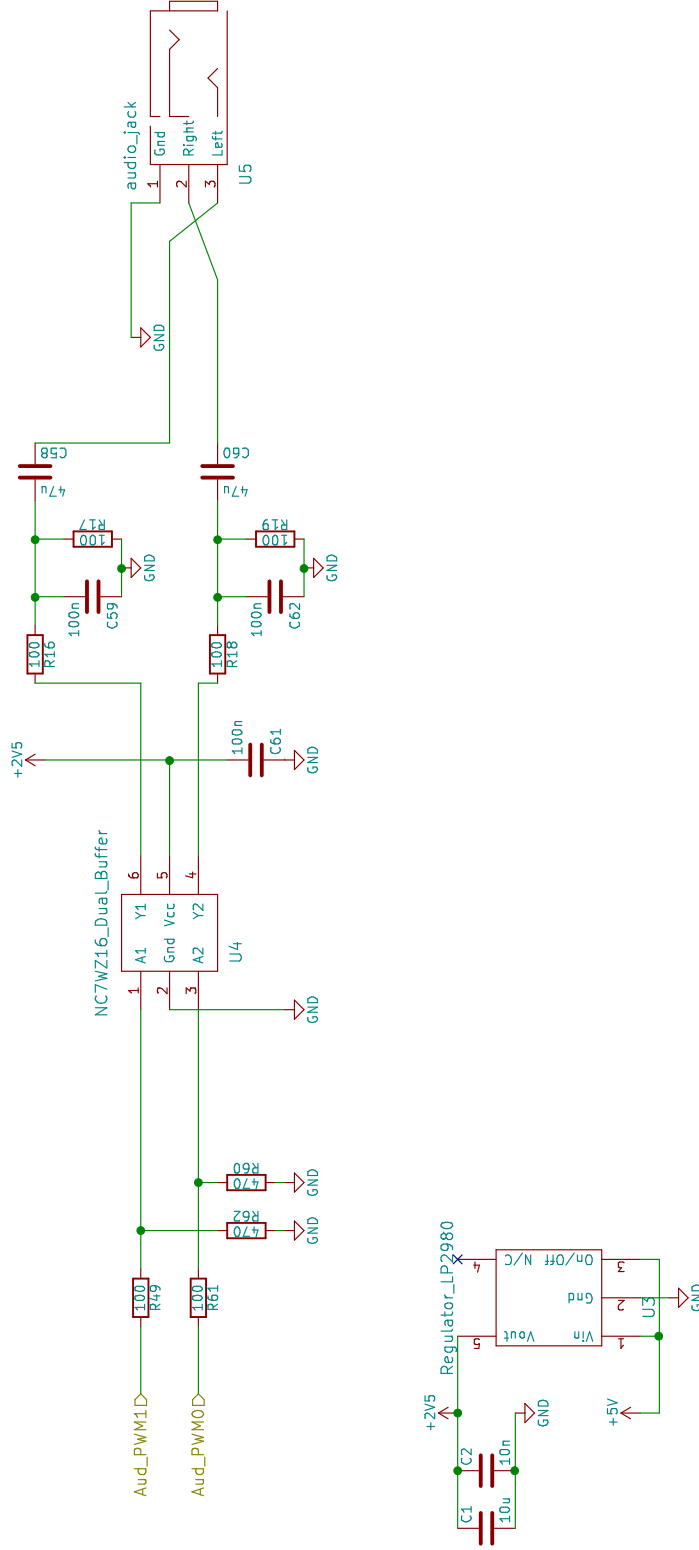
Sheet: Rasperry\_B+ audio  
 > Aud\_PWM1  
 > Aud\_PWM0  
 File: rasp\_audio.sch

Sheet: soft\_power\_button  
 > Vin  
 > Vout  
 > Pwr-On  
 File: soft\_power.sch

Sheet: /  
 File: pi\_ggrLzero\_baseboard.sch  
**Title: Rasperry-Pi Zero Breakout Main**  
 Size: A4  
 Date:  
 KiCad E.D.A. kicad 4.0.1+dfsg1 -stable

Rev:  
 Id: 1/73

audio circuit taken from:  
<https://learn.adafruit.com/introducing-the-raspberry-pi-zero/audio-outputs>  
[https://learn.adafruit.com/system/assets/assets/000/028/850/original/raspberry\\_pi\\_audio.png?1449170282](https://learn.adafruit.com/system/assets/assets/000/028/850/original/raspberry_pi_audio.png?1449170282)



voltage regulation taken from  
<https://github.com/raspberrypi/documentation/blob/master/hardware/raspberrypi/schematics/Raspberry-Pi-Rev-2.1-Model-AB-Schematics.pdf>

Sheet: /Raspberry B+ audio/  
 File: rasp\_audio.sch

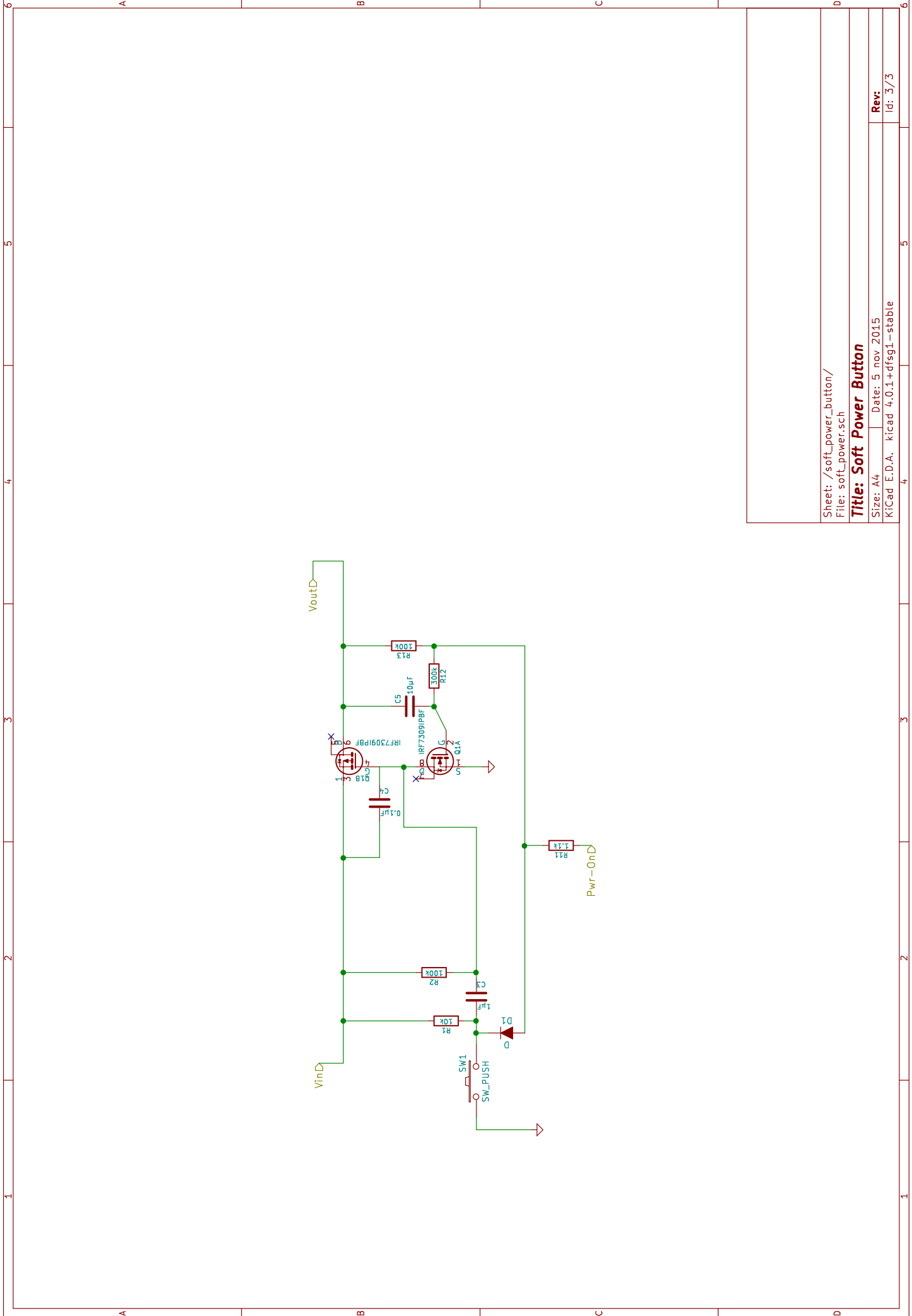
**Title: Audio**

Size: A4 Date:

KiCad E.D.A. kicad 4.0.1+dfsg1-stable

Rev:

Id: 2/3



Sheet: /soft\_power\_button/  
 File: soft\_power.sch

**Title: Soft Power Button**

Size: A4 Date: 5 nov 2015  
 KiCad E.D.A. kicad 4.0.1+dfsg1 -stable  
 Id: 3/3

Rev: