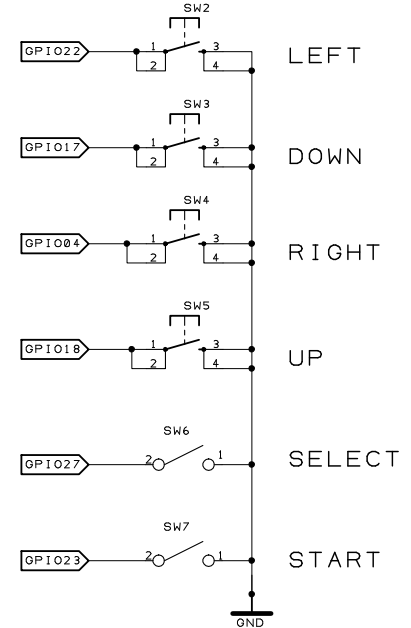
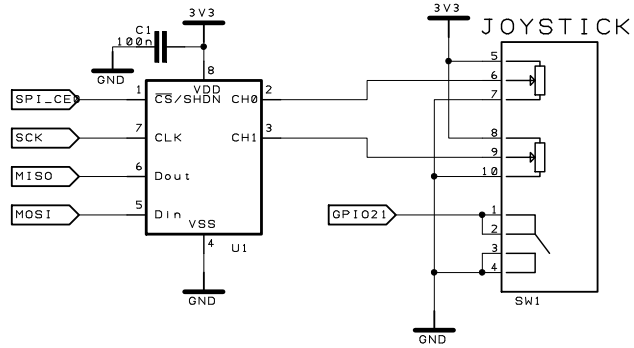
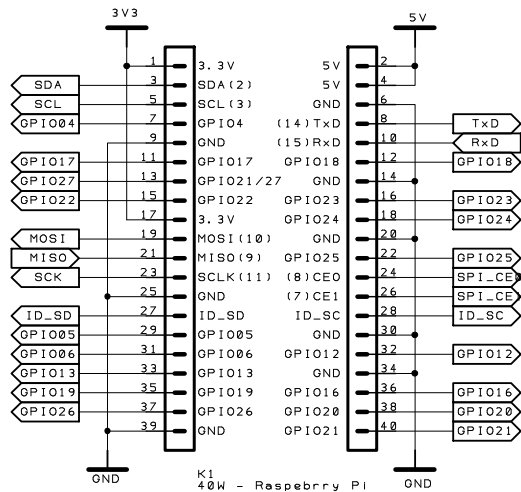


R-KADE ZERO



OSHW
LOGO



E	D	C	B	A v0.1 15/12/15	Drawn TonyD	Check	Projection Do Not Scale		DTRONIXS.COM
Drn	Drn	Drn	Drn	Project Raspberry Pi Zero R-Kade JS Board		Client			
Chk	Chk	Chk	Chk	Title Rpi0_R-Kade_JS	Filename Rpi0_R-Kade_JS.sch	Drawing No. 314-4030	Sheet 1 of 1		